

HITACHI

SERVICE MANUAL

SC

No. 0019E

PDV-701S



Caution

Be sure to read this manual before servicing. To assure safety from fire, electric shock, injury harmful radiation and materials, various measures are provided in this Hitachi portable DVD player.

Be sure to read the cautionary items described in the manual to maintain safety before servicing.

Service warning

1. Do not attempt to modify this product in any way and never perform customized installations without manufacturer's approval. Unauthorized modifications will not only void the warranty, but may lead to your being liable for any resulting property damage or user injury.
2. Service work should be performed only after you are thoroughly familiar with all of the following safety checks and servicing guidelines. To do otherwise, increase the risk of potential hazards and injury to the user.
3. While servicing, use an isolation transformer for protection from A.C. line shock.

Contents

* SAFETY NOTICE.....	2	* PCB WIRING DIAGRAMS.....	10-12
* PRODUCT SPECIFICATIONS.....	3	* BLOCK DIAGRAM.....	13
* FUNCTIONAL OVERVIEW.....	4-6	* SCHEMATIC DIAGRAMS.....	14-17
* CONNECTIONS.....	7-8	* TROUBLESHOOTING.....	18-20
* WIRING DIAGRAM	9	* REPLACEMENT PART LIST.....	21-35

SPECIFICATIONS AND PARTS ARE SUBJECT TO CHANGE FOR IMPROVEMENT

Portable DVD player

SAFETY NOTICE

LASER BEAM CAUTION LABEL

- レンズには絶対に触れないでください。
- DO NOT TOUCH THE LENS.
- LINSE NICHT BRÜHREN.
- NE PAS TOUCHER LA LENTILLE.

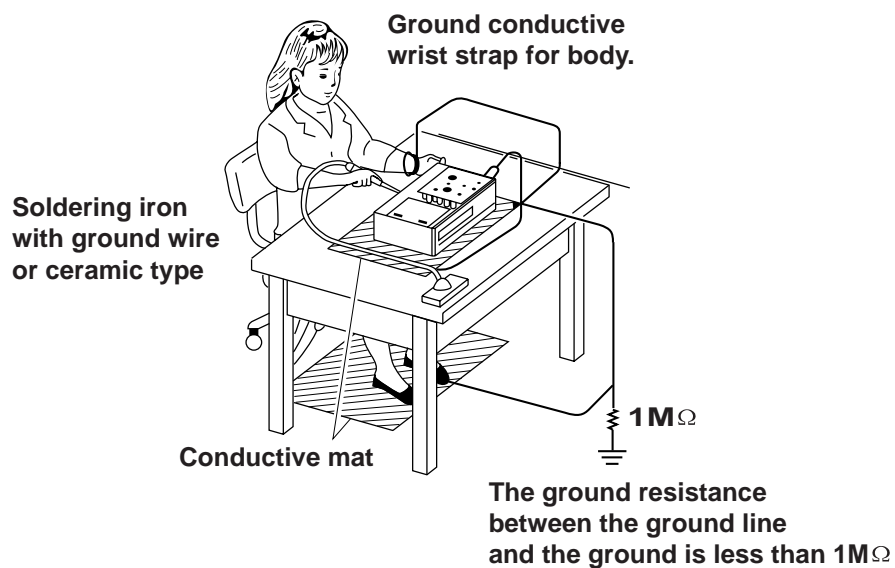
When the power supply is being turned on, please don't remove this laser cautions label. If it removes, radiation of laser may be received.

PREPARATION OF SERVICING

Pickup Head consists of a laser diode that is very susceptible to external static electrocity.

When replacing, please use a conductive mat, soldering iron with ground to protect the laser from damaged by static electricity.

Please apply the same procedure when repair IC.

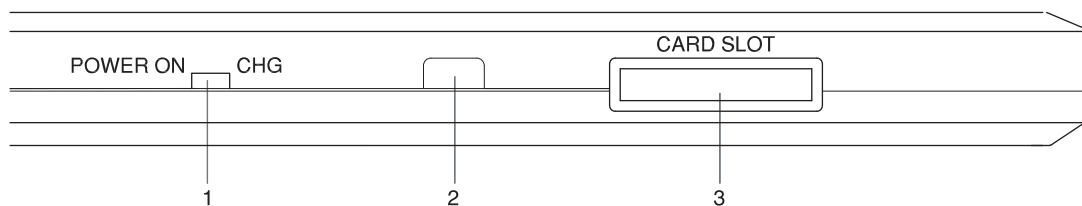


PRODUCT SPECIFICATIONS

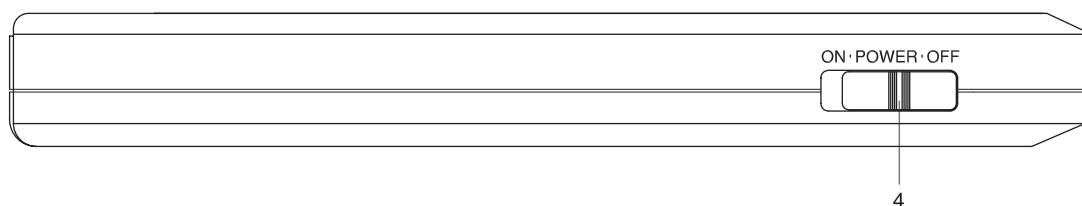
Laser Wavelength	650nm
Video System	PAL/AUTO/NTSC
Frequency Response	20Hz ~ 20kHz (+/-1.0dB)
Signal/noise Ratio	>= 95 dB
Audio Distortion + Noise	<= -80 dB (1kHz)
Channel Separation	>= 85 dB
Dynamic Range	>= 85dB
Output	Output Level: 2V +/- 10%
Audio Output (Analogue Audio)	Load Impedance: 10 k ohm
Digital Output (Digital Audio)	Output Level: 0.5Vp-p
Video Output	Output Level: 1Vp-p +/- 20%
	Load Impedance: 75 ohm
Operating Temperature Range	5 ~ 35 °C
Power Supply	DC 9V 2.2A
Power Consumption	<= 20W
Dimension (WxHxD)	197 x 28.5 x 142 mm
Weight	825g

FUNCTIONAL OVERVIEW

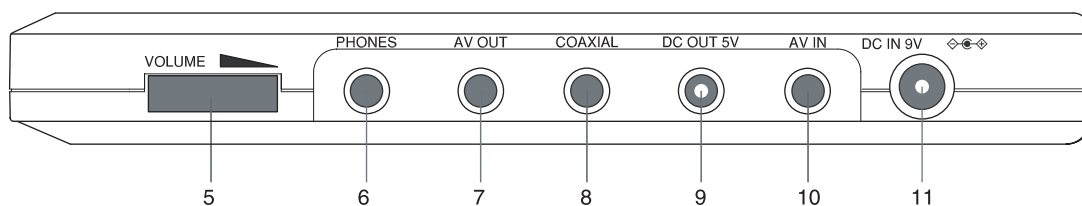
Front of Player



Left of Player

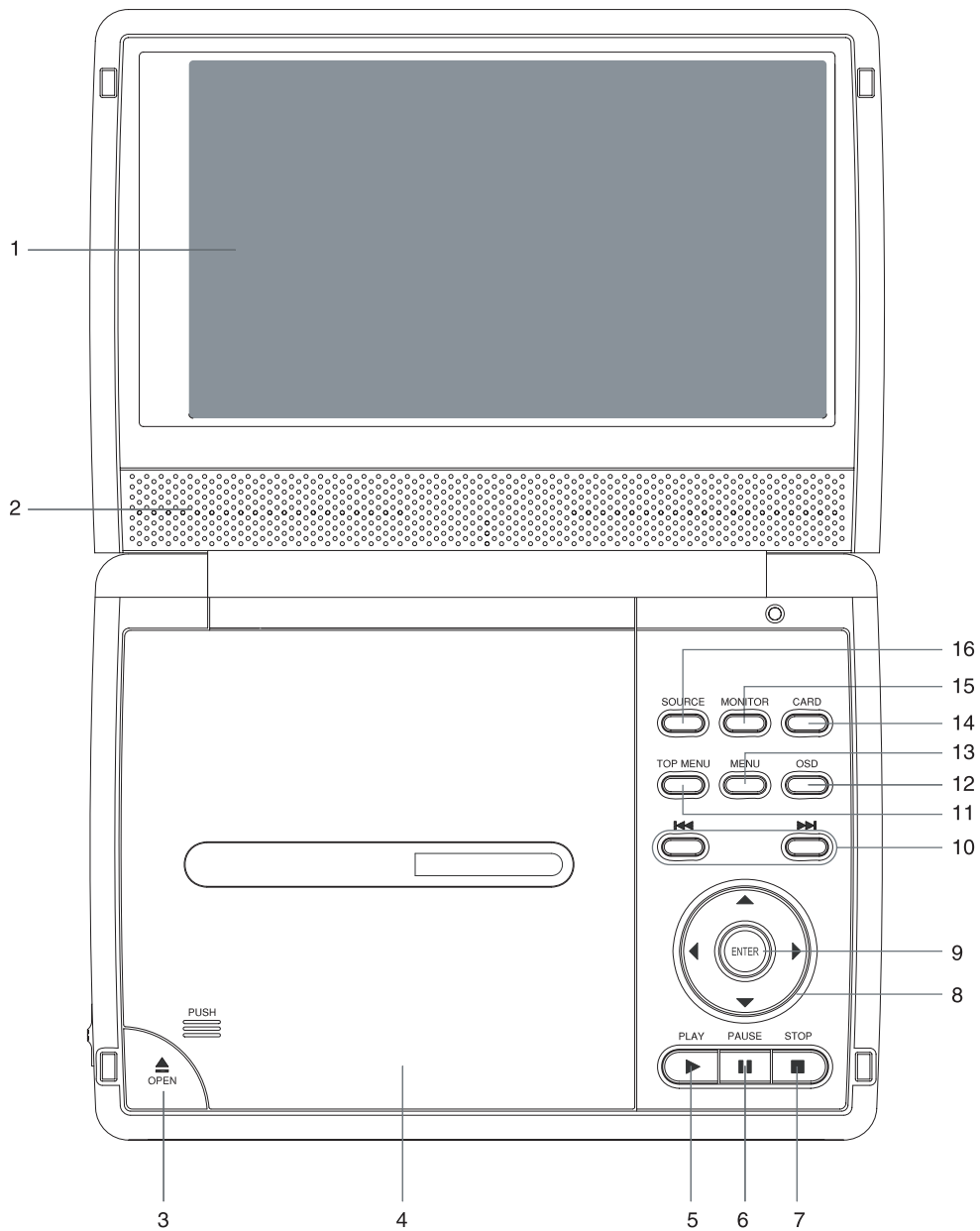


Right of Player



- | | |
|---|---|
| 1. POWER ON/CHG
Power and charging indicator. | 6. PHONES
Earphone jack. |
| 2. REMOTE SENSOR | 7. AV OUT |
| 3. CARD SLOT
Memory card slot. | 8. COAXIAL
Digital audio output jack. |
| 4. POWER ON / OFF
Turn the player on or off. | 9. DC OUT 5V |
| 5. VOLUME
Volume control. | 10. AV IN |
| | 11. DC IN 9V
Power supply jack. |

Top of Player



1. LCD SCREEN

2. SPEAKER

3. OPEN (▲)

4. DISC DOOR

5. PLAY (►)

6. PAUSE (■■)

7. STOP (■)

8. DIRECTION BUTTONS

9. ENTER

10. PREV/NEXT (◀◀/▶▶)

11. TOP MENU

12. OSD (ON-SCREEN DISPLAY)

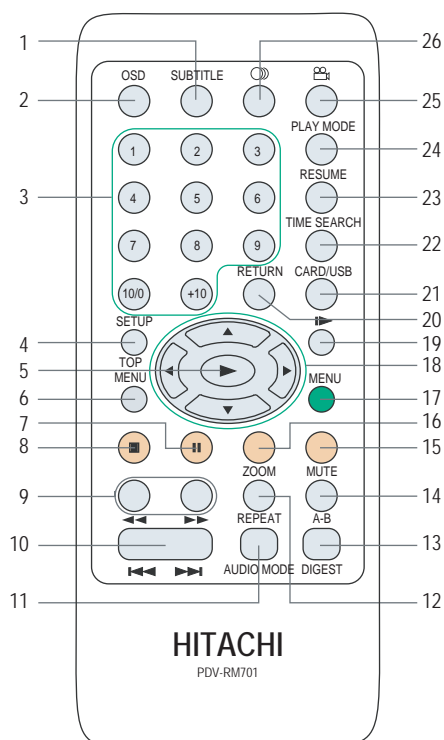
13. MENU

14. CARD

15. MONITOR

16. SOURCE

Remote Control



- | | |
|---|--|
| 1. SUBTITLE | 14. REPEAT A-B |
| 2. OSD (ON-SCREEN DISPLAY) | 15. MUTE |
| 3. NUMBER BUTTONS | 16. ZOOM |
| 4. SETUP | 17. MENU |
| 5. PLAY (▶) | 18. DIRECTION BUTTONS |
| 6. TOP MENU | 19. SLOW-MOTION PLAY (▶▶) |
| 7. PAUSE () | 20. RETURN (not applicable to this player) |
| 8. STOP (■) | 21. CARD/USB |
| 9. FAST BACKWARD/FAST FORWARD (◀◀ / ▶▶) | 22. TIME SEARCH |
| 10. PREV/NEXT (◀◀/▶▶) | 23. RESUME |
| 11. AUDIO MODE | 24. PLAY MODE |
| 12. REPEAT | 25. ANGLE (📺) |
| 13. DIGEST | 26. AUDIO LANGUAGE (🔊) |

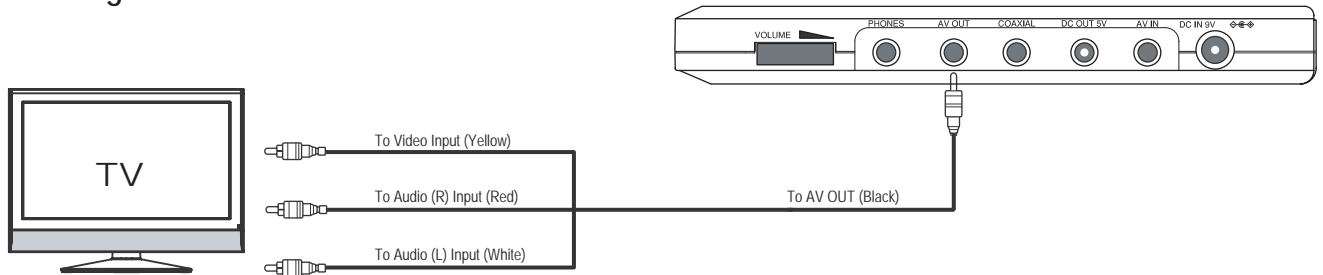
CONNECTIONS

Before using the player, you may connect the player to a TV and/or an amplifier, a video game console or an optional TV tuner.

NOTE:

Turn off the power supply to the player and the equipments before making any connection.

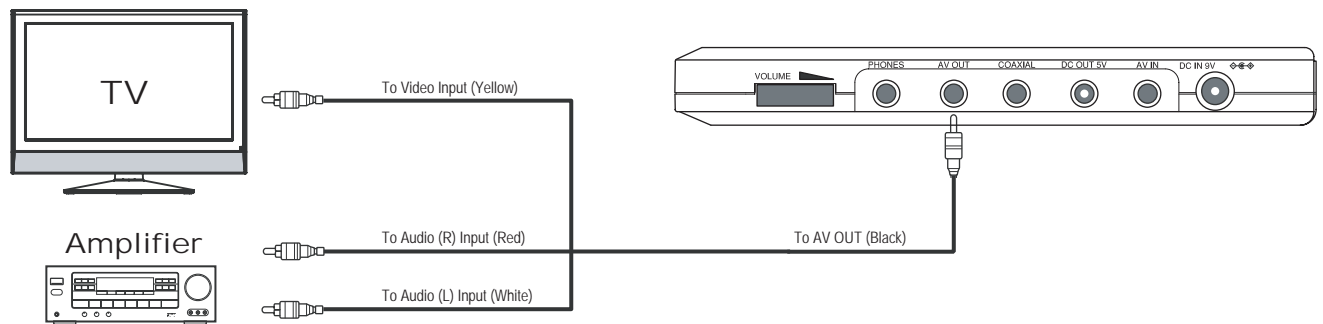
Connecting to a TV



NOTE:

- When you turn on the player, press **SOURCE** button repeatedly to select AV OUT.

Connecting to a TV and an Amplifier

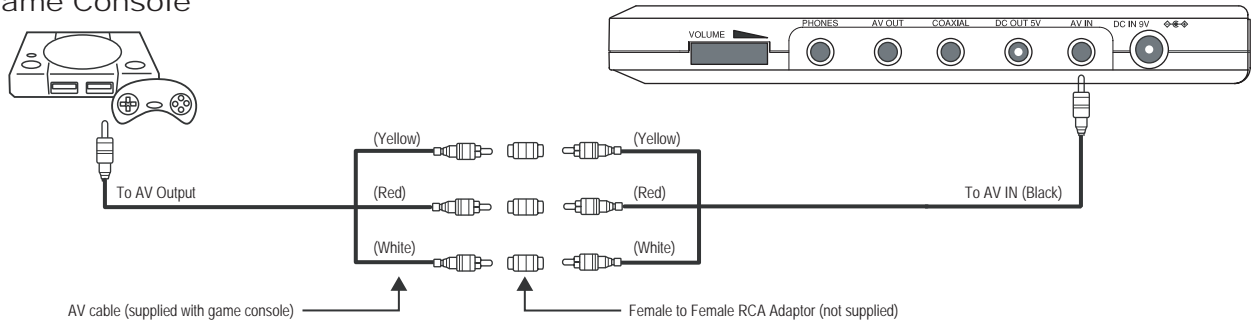


NOTE:

- When you turn on the player, press **SOURCE** button repeatedly to select AV OUT.

Connecting to a Video Game Console

Game Console

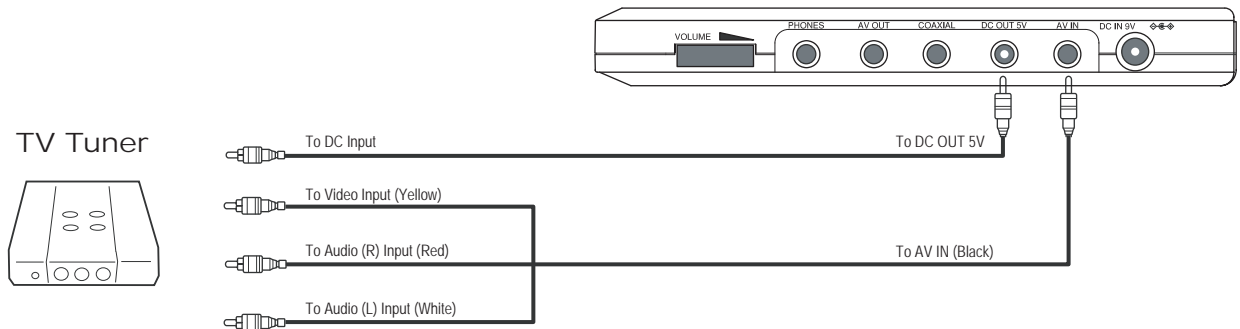


NOTE:

- When you turn on the player, press **SOURCE** button repeatedly to select AV IN.

Connecting to an Optional TV Tuner

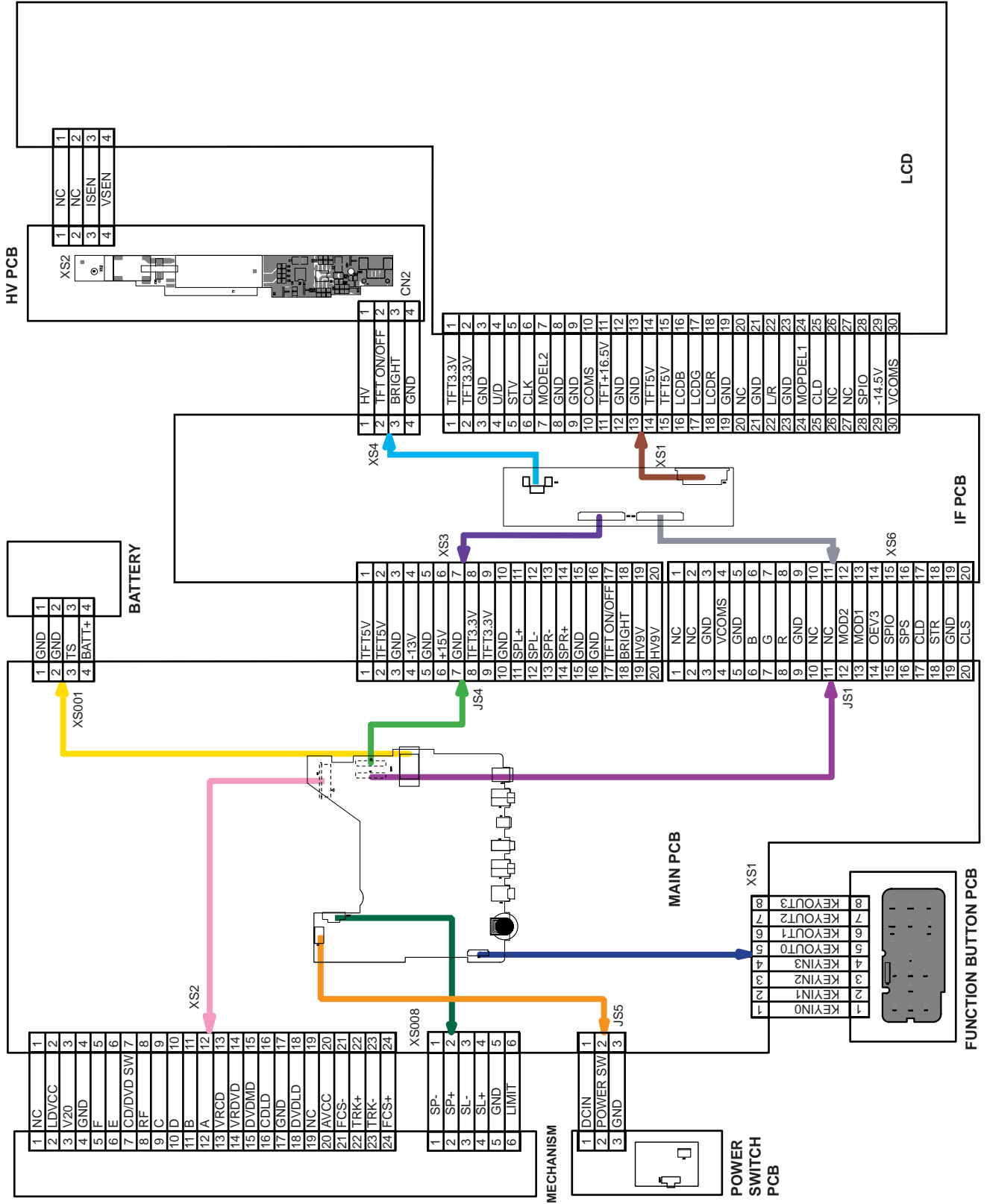
TV Tuner



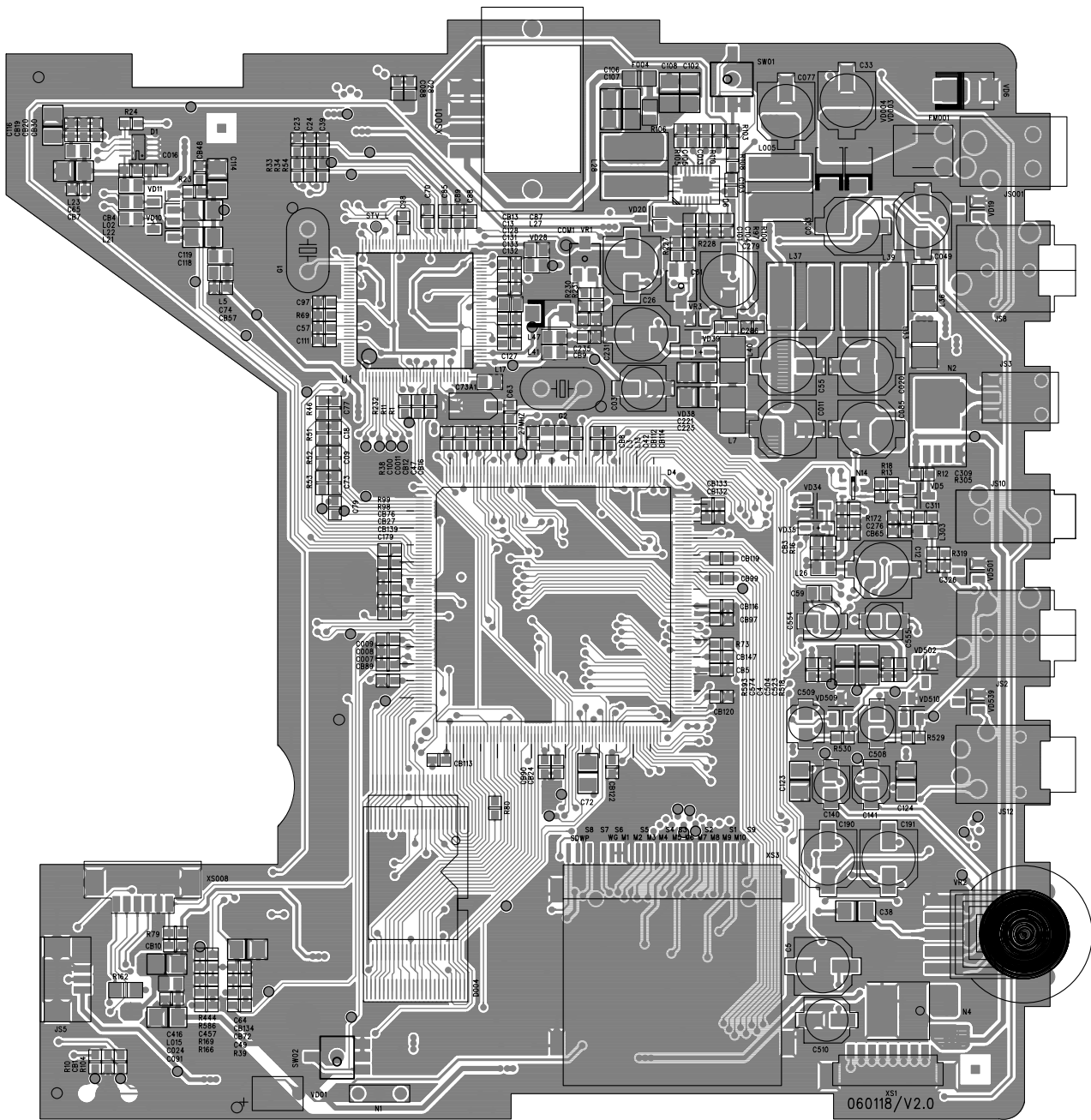
NOTE:

- When you turn on the player, press **SOURCE** button repeatedly to select AV IN.

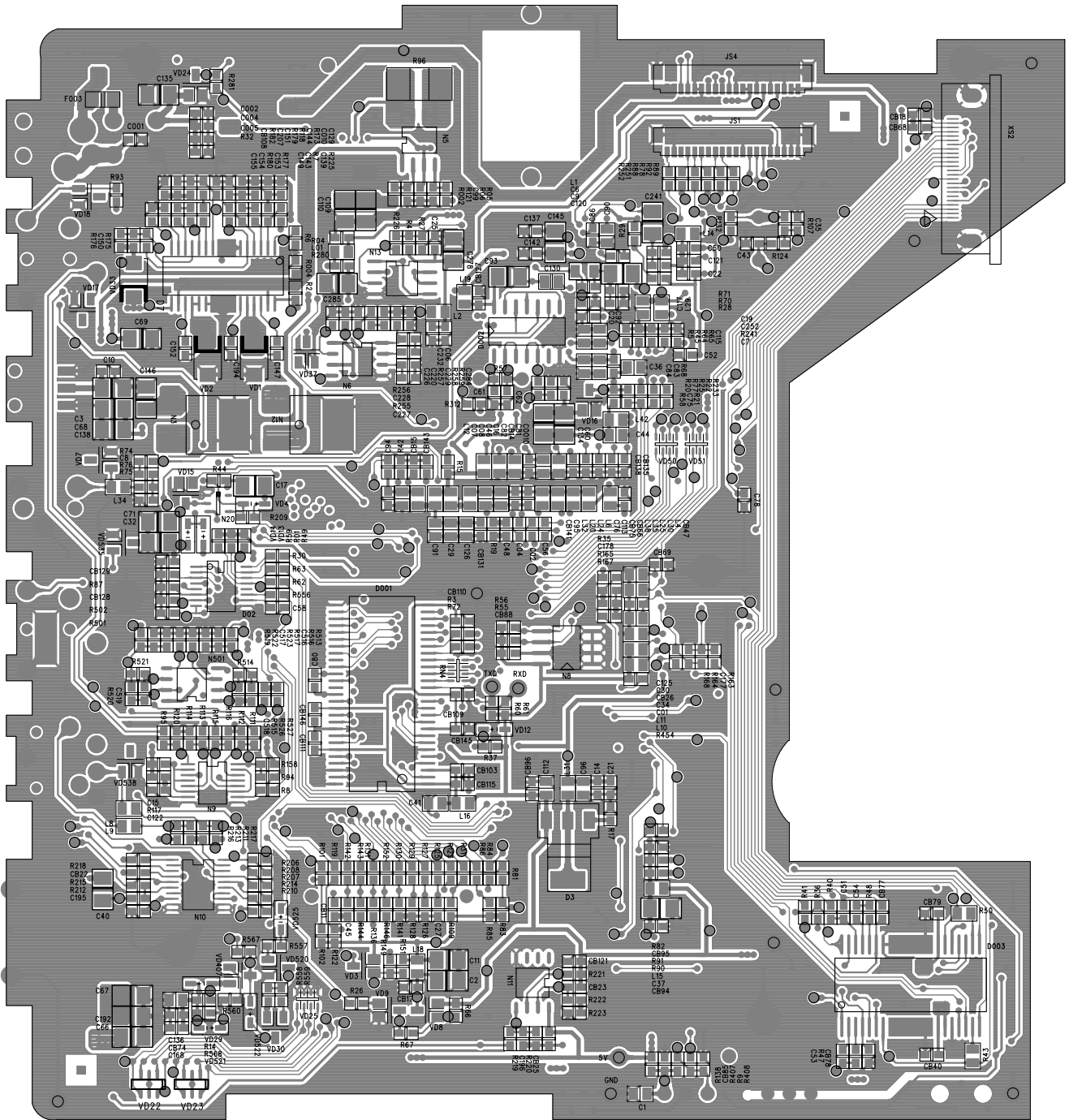
WIRING DIAGRAM



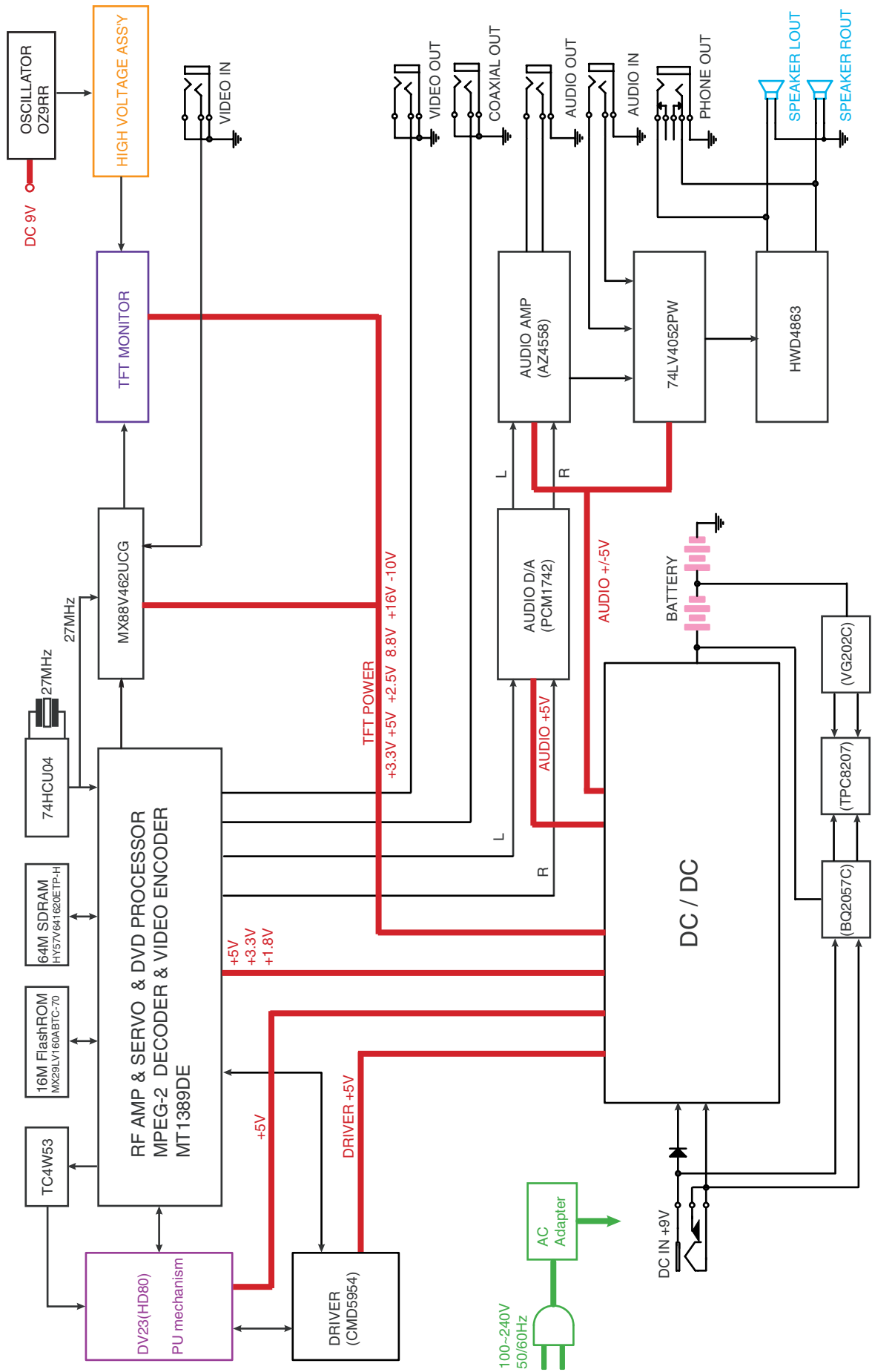
MAIN PCB (TOP)



MAIN PCB (BOTTOM)

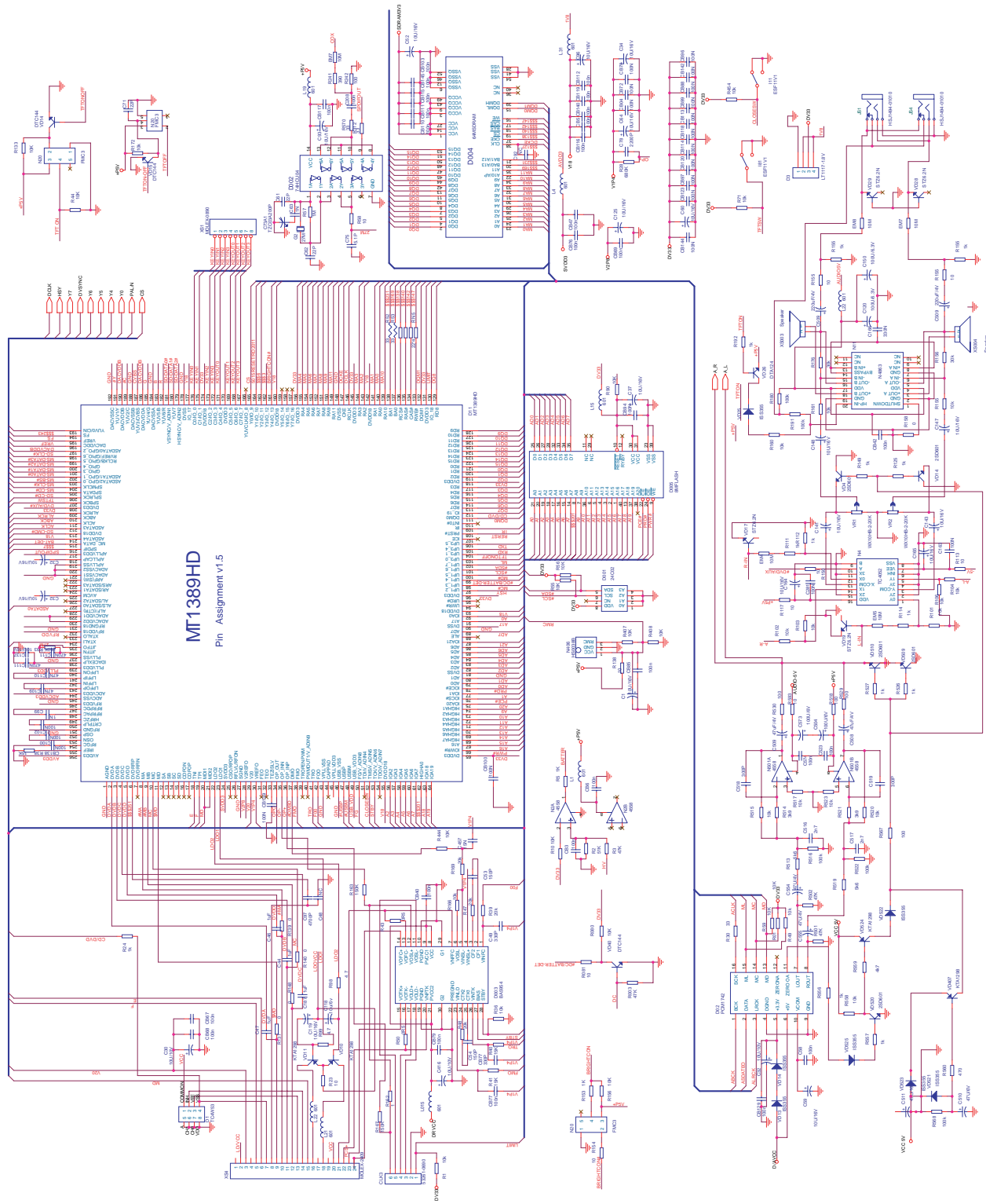


BLOCK DIAGRAM

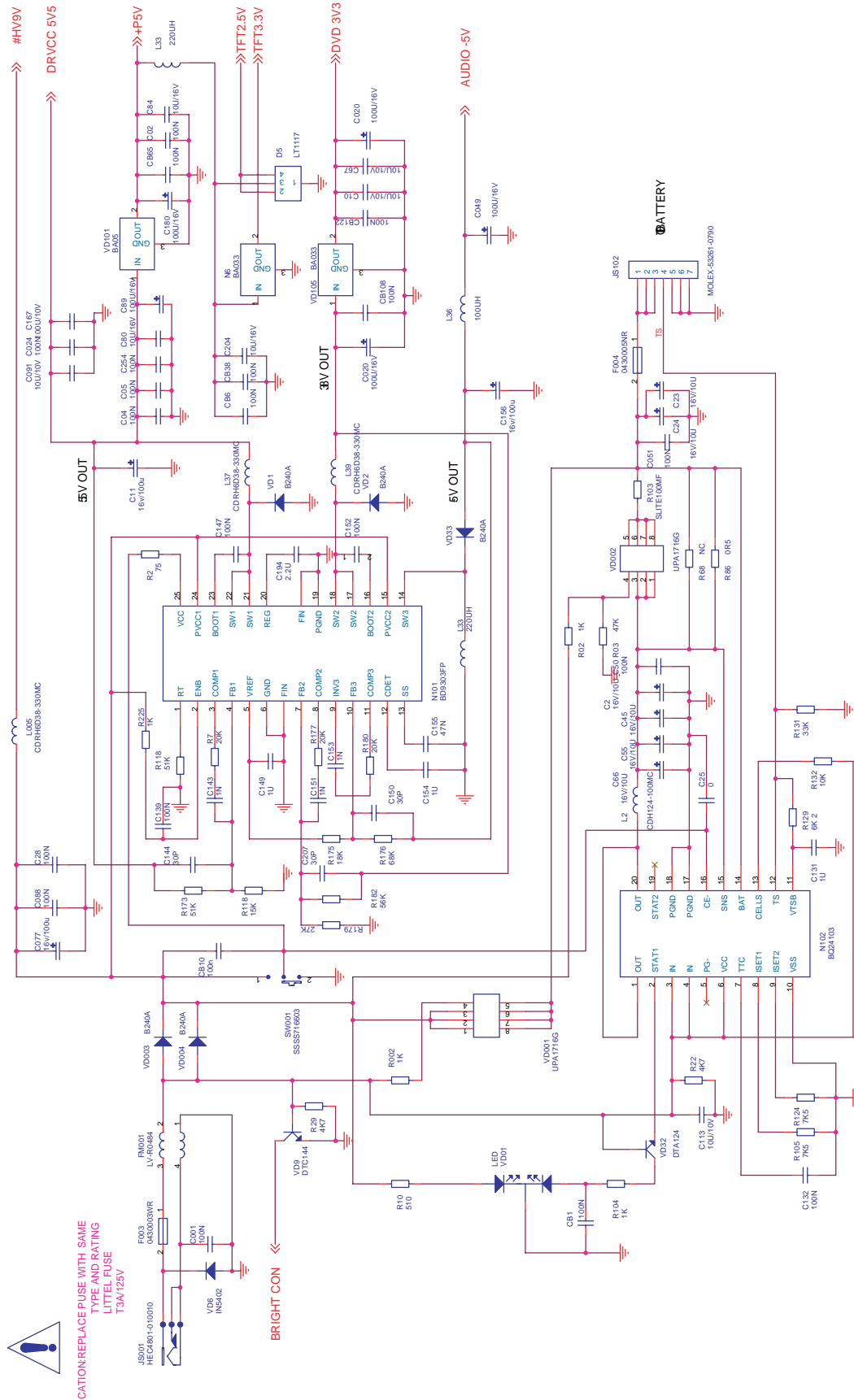


SCHEMATIC DIAGRAMS

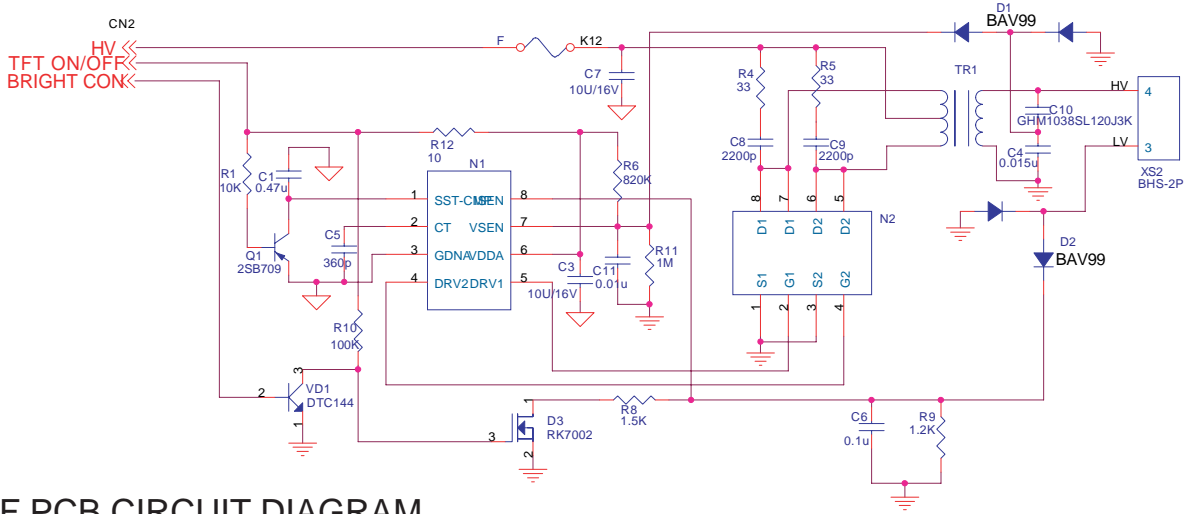
MAIN PCB CIRCUIT DIAGRAM 1



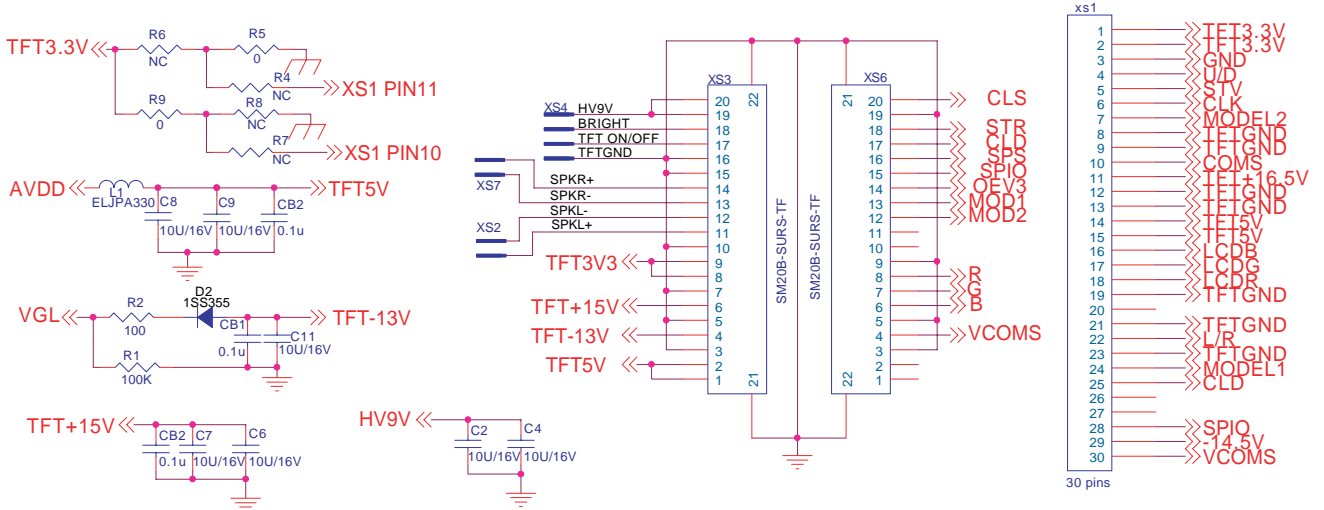
MAIN PCB CIRCUIT DIAGRAM 2



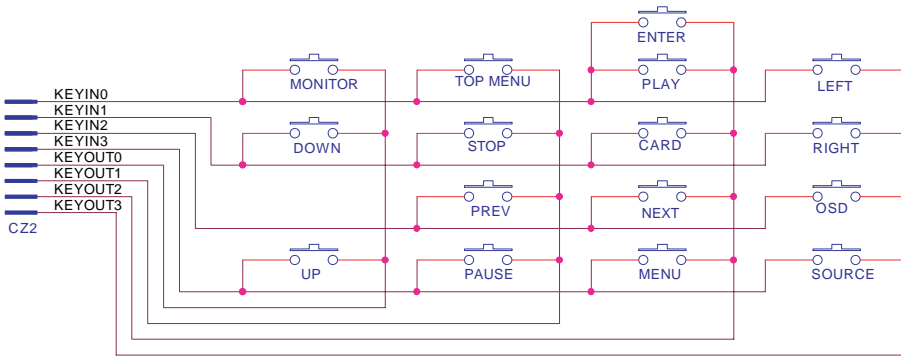
HV PCB CIRCUIT DIAGRAM



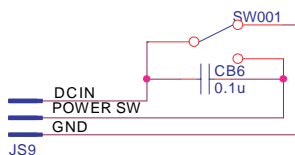
IF PCB CIRCUIT DIAGRAM



FUNCTION BUTTON PCB CIRCUIT DIAGRAM

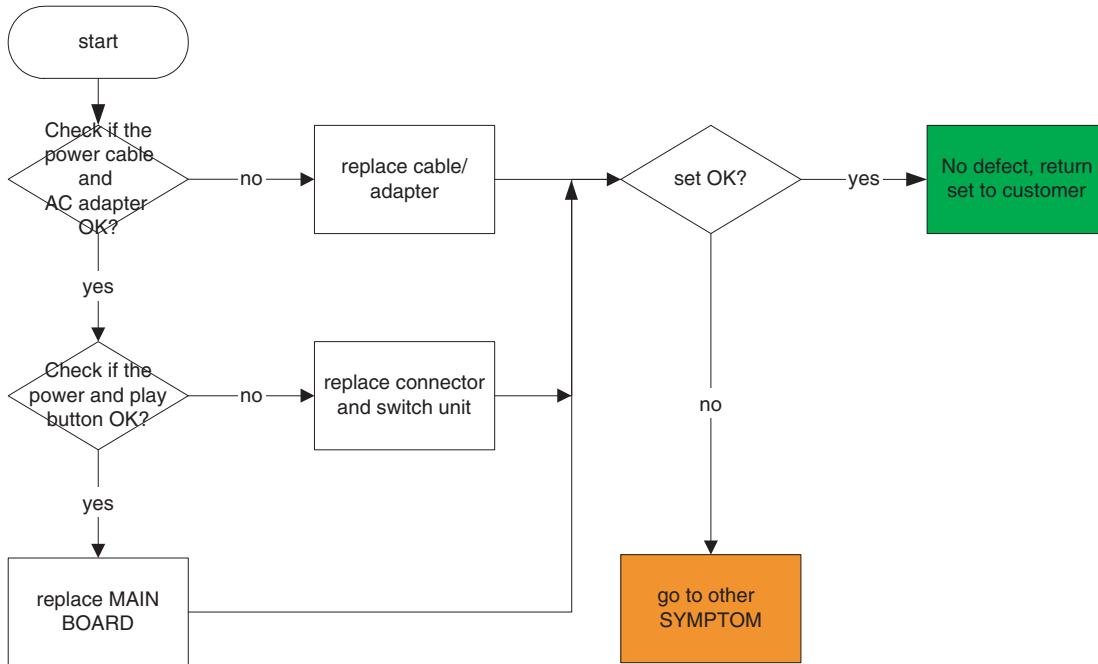


POWER SWITCH PCB CIRCUIT DIAGRAM

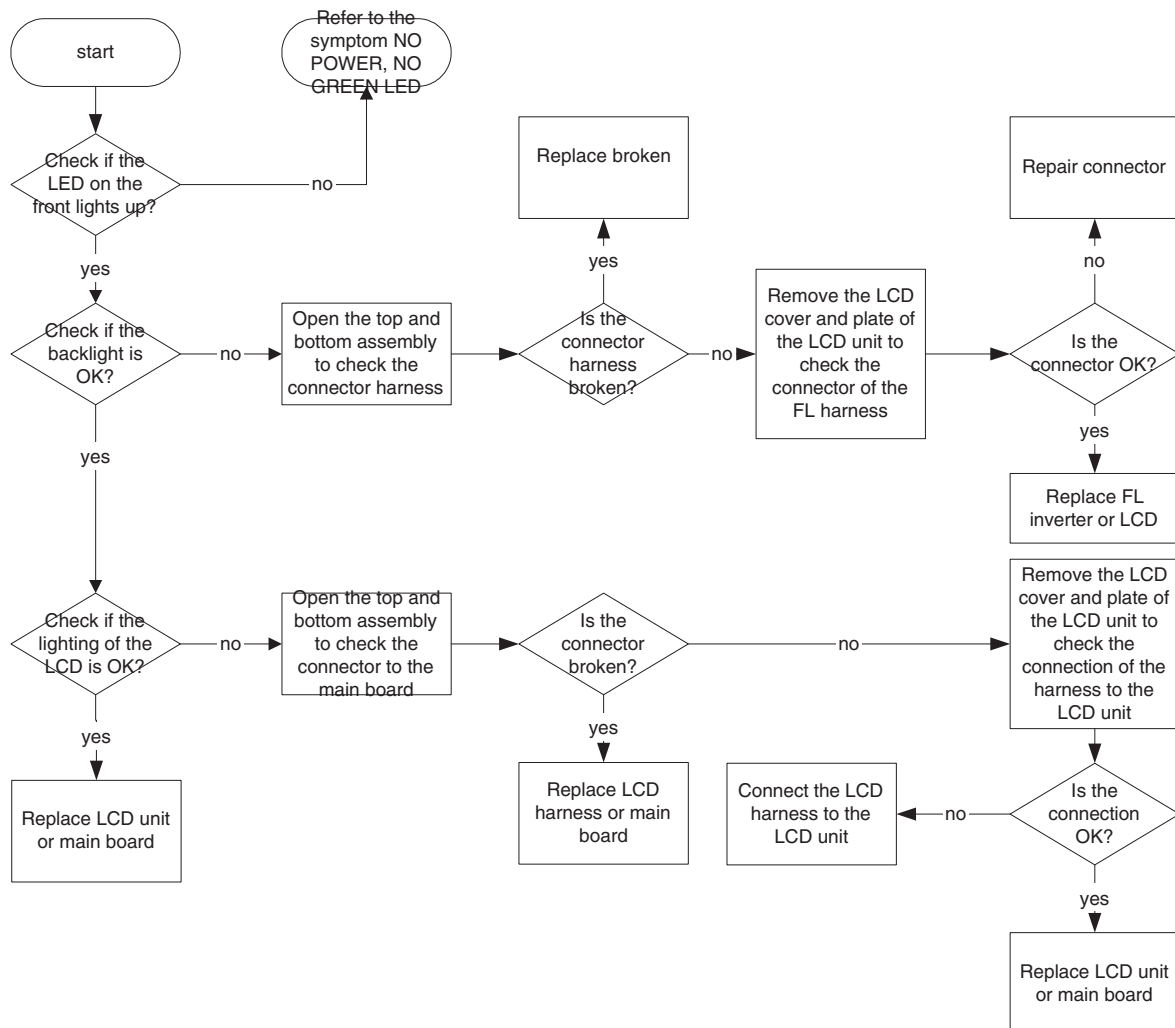


TROUBLESHOOTING

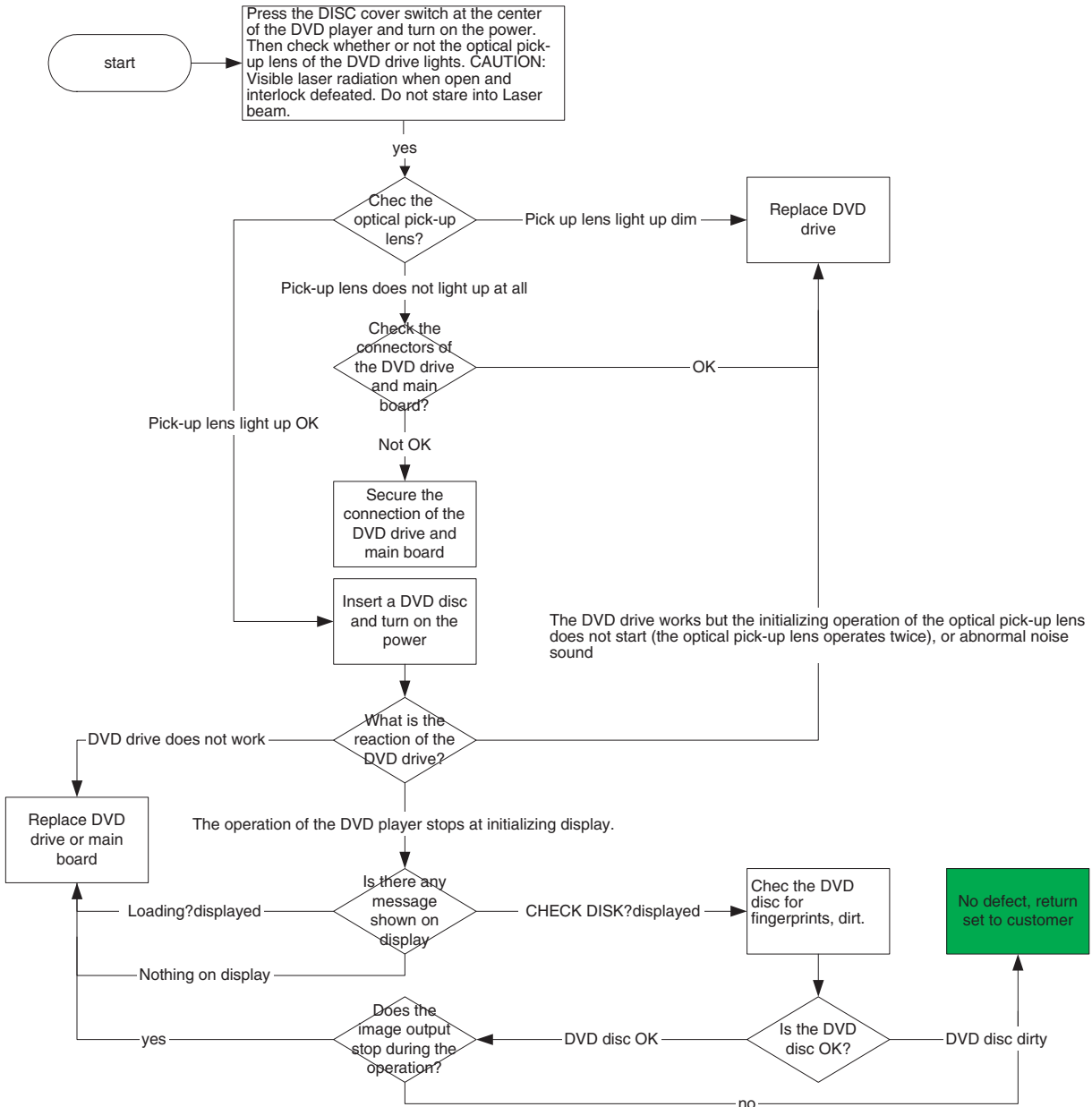
SYMPTOM: NO POWER, NO GREEN LED



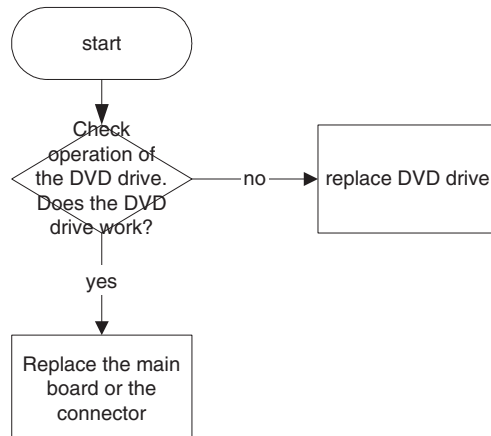
SYMPTOM: THE INITIAL SCREEN IS NOT DISPLAYED ON THE LCD



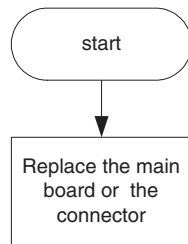
SYMPTOM: THE DVD DRIVE DOES NOT WORK



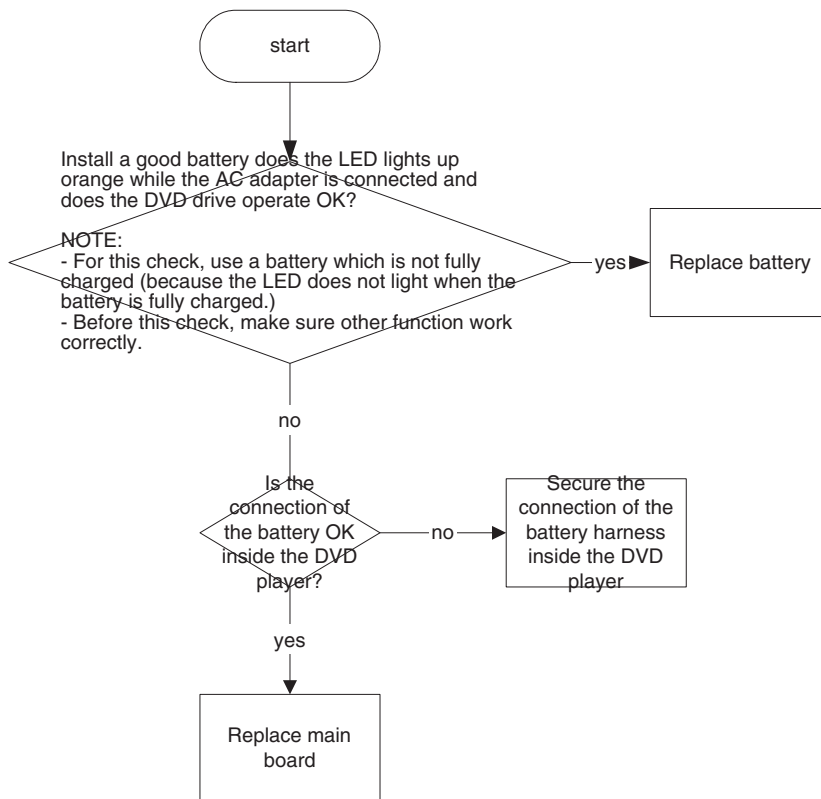
SYMPTOM: NO IMAGE OR SOUND COMES OUT FROM THE EXTERNAL OUTPUT



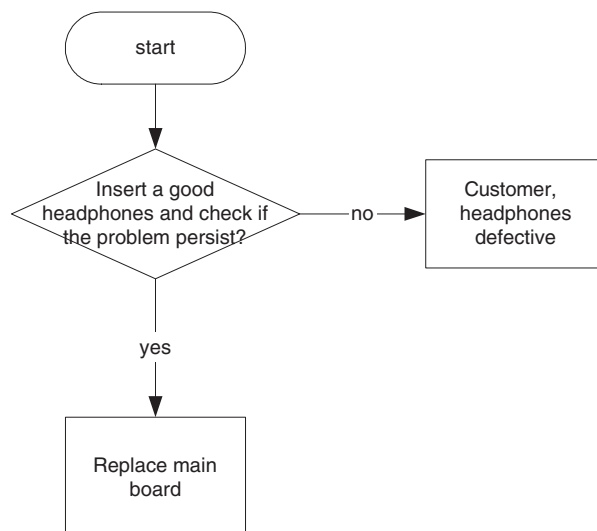
SYMPTOM: NO IMAGE OR SOUND COMES OUT FROM THE EXTERNAL INPUT



SYMPTOM: THE DVD DRIVE DOES NOT OPERATE WITH BATTERY






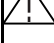
SYMPTOM: NO SOUND COMES FROM THE HEADPHONES



REPLACEMENT PART LIST

The following service parts list are available for purchase. Serviceman may quote the components shown in this page for servicing purposes.

PRODUCT SAFETY NOTE : Components marked with a  have special characteristics important to safety. The use of a substitute replacement part which does not have the same safety characteristics may create shock, fire or other hazards. Don't degrade the safety of the receiver through improper servicing.

SYMBOL No.	PART No.	DESTRPTIONS
<u>PWB ASSY</u>		
	YZE11081T	RB-LI31 LITHIUM BATTERY
	YZE22196	HV PCB ASSY
	YZE22194	FUNCTION PCB ASSY
	YZE22195	IF PCB ASSY
	YZE22189	MAIN PCB ASSY
<u>MISCELLANEOUS</u>		
	YZEA7187E	TFT LCD PANEL
 F003	YZEP60088A	FUSE F1206SB3000V032T
	YZES0577J	ADPV18A AC POWER ADAPTER
	YZES06159	R/C HANDSET PDV-RM701

REPLACEMENT PART LIST (FOR REFERENCE ONLY)

The components shown in the remaining pages served as a reference only. It is not meant for ordering of components for servicing purposes. Do not quote any components from these lists.

PART No.	PART NAME	Q'TY
PDV-701S(Russia)		
YZE11081T	RB-LI31 LITHIUM BATTERY)	1
YZE22189	PDV-701S MAIN PCB ASS'Y	1
YZE22194	PDV-701SK FUNCTION PCB ASS'Y	1
YZE22195	PDV-701ST IF PCB ASS'Y	1
YZE22196	PDV-701SH HV PCB ASS'Y	1
!YZEA7187E	LB070W02-S TFT LCD	1
YZES00112	HITACHI 7" BAG	1
YZES0535B	CAR CIGARETTE ADAPTER	1
!YZES0577V	ADPV18B AC POWER ADAPTER	1
YZES06159	PDV-RM701 REMOTE	1
YZES14213C	PDV-701S OWNER MANUAL	1
YZES3421C	20PINHARNES-5-PF(L140)	2
YZES3545	SD-P1200 HV CONNECT WIRE	1
YZES3589	DVD5861 SPEAKER CONNECT WIRE	2
YZES3747	RCA CORD AV	1
YZES4360B	EARPHONE	1
YZES5100	YD2027 SPEAKER	2
YZES8115A	DV23 LOADING ASS'Y	1

The components shown in the remaining pages served as a reference only. It is not meant for ordering of components for servicing purposes. Do not quote any components from these lists.

PART No.	PART NAME	Q'TY
PDV-701S(Germany)		
YZE11081T	RB-LI31 LITHIUM BATTERY)	1
YZE22189	PDV-701S MAIN PCB ASS'Y	1
YZE22194	PDV-701SK FUNCTION PCB ASS'Y	1
YZE22195	PDV-701ST IF PCB ASS'Y	1
YZE22196	PDV-701SH HV PCB ASS'Y	1
!YZEA7187E	LB070W02-S TFT LCD	1
YZES00112	HITACHI 7" BAG	1
YZES0535B	CAR CIGARETTE ADAPTER	1
!YZES0577J	ADPV18B AC POWER ADAPTER	1
YZES06159	PDV-RM701 REMOTE	1
YZES14213A	PDV-701S OWNER MANUAL	1
YZES3421C	20PINHARNES-5-PF(L140)	2
YZES3545	SD-P1200 HV CONNECT WIRE	1
YZES3589	DVD5861 SPEAKER CONNECT WIRE	2
YZES3747	RCA CORD AV	1
YZES4360B	EARPHONE	1
YZES5100	YD2027 SPEAKER	2
YZES8115A	DV23 LOADING ASS'Y	1

The components shown in the remaining pages served as a reference only. It is not meant for ordering of components for servicing purposes. Do not quote any components from these lists.

PART No.	PART NAME	Q'TY
PDV-701S(UAE)		
YZE11081T	RB-LI31 LITHIUM BATTERY)	1
YZE22189	PDV-701S MAIN PCB ASS'Y	1
YZE22194	PDV-701SK FUNCTION PCB ASS'Y	1
YZE22195	PDV-701ST IF PCB ASS'Y	1
YZE22196	PDV-701SH HV PCB ASS'Y	1
!YZEA7187E	LB070W02-S TFT LCD	1
YZES00112	HITACHI 7" BAG	1
YZES0535B	CAR CIGARETTE ADAPTER	1
!YZES0577V	ADPV18B AC POWER ADAPTER	1
YZES06159	PDV-RM701 REMOTE	1
YZES14213B	PDV-701S OWNER MANUAL	1
YZES3421C	20PINHARNESS-5-PF(L140)	2
YZES3545	SD-P1200 HV CONNECT WIRE	1
YZES3589	DVD5861 SPEAKER CONNECT WIRE	2
YZES3747	RCA CORD AV	1
YZES4360B	EARPHONE	1
YZES5100	YD2027 SPEAKER	2
YZES8115A	DV23 LOADING ASS'Y	1

The components shown in the remaining pages served as a reference only. It is not meant for ordering of components for servicing purposes. Do not quote any components from these lists.

PART No.	PART NAME	Q'TY
PDV-701S(JAP)		
YZE11081T	RB-LI31 LITHIUM BATTERY)	1
YZE22189	PDV-701S MAIN PCB ASS'Y	1
YZE22194	PDV-701SK FUNCTION PCB ASS'Y	1
YZE22195	PDV-701ST IF PCB ASS'Y	1
YZE22196	PDV-701SH HV PCB ASS'Y	1
!YZEA7187L	LB070W02-S TFT LCD	1
YZES00112	HITACHI 7" BAG	1
YZES0535B	CAR CIGARETTE ADAPTER	1
!YZES0577T	ADPV18B AC POWER ADAPTER	1
YZES06159	PDV-RM701 REMOTE	1
YZES15182GSS	PDV-701S OWNER MANUAL	1
YZES3421C	20PINHARNESS-5-PF(L140)	2
YZES3545	SD-P1200 HV CONNECT WIRE	1
YZES3589	DVD5861 SPEAKER CONNECT WIRE	2
YZES3747	RCA CORD AV	1
YZES4360B	EARPHONE	1
YZES5100	YD2027 SPEAKER	2
YZES8115A	DV23 LOADING ASS'Y	1

The components shown in the remaining pages served as a reference only. It is not meant for ordering of components for servicing purposes. Do not quote any components from these lists.

REF No.	PART No.	PART NAME
PDV-701S MAIN PCB ASS'Y		
RESISTOR		
R1	YZEP11003	RC-03K100JT
R2	YZEP11005	RC-03K750JT
R3	YZEP11004	RC-03K330JT
R4	YZEP11017	RC-03K333JT
R5	YZEP11013	RC-03K103JT
R6	YZEP11057	RC-03K513JT
R7	YZEP11035	RC-03K203JT
R8	YZEP11003	RC-03K100JT
R9	YZEP11003	RC-03K100JT
R01	YZEP11013	RC-03K103JT
R04	YZEP11013	RC-03K103JT
R05	YZEP11009	RC-03K102JT
R06	YZEP11018	RC-03K473JT
R10	YZEP11010	RC-03K202JT
R11	YZEP11003	RC-03K100JT
R12	YZEP11013	RC-03K103JT
R13	YZEP11013	RC-03K103JT
R14	YZEP11013	RC-03K103JT
R15	YZEP11013	RC-03K103JT
R16	YZEP11013	RC-03K103JT
R17	YZEP11002	RC-03K4R7JT
R18	YZEP11000	RC-03K000JT
R19	YZEP11122	RC-03K754JT
R20	YZEP11009	RC-03K102JT
R21	YZEP11197	RC-03K510JT
R22	YZEP11003	RC-03K100JT
R23	YZEP11003	RC-03K100JT
R24	YZEP11009	RC-03K102JT
R25	YZEP11003	RC-03K100JT
R26	YZEP11015	RC-03K153JT
R27	YZEP11013	RC-03K103JT
R28	YZEP11000	RC-03K000JT
R30	YZEP11004	RC-03K330JT
R31	YZEP11004	RC-03K330JT
R32	YZEP11013	RC-03K103JT
R33	YZEP11140	RC-03K220JT
R34	YZEP11140	RC-03K220JT
R35	YZEP11019	RC-03K104JT

REF No.	PART No.	PART NAME
R36	YZEP11013	RC-03K103JT
R37	YZEP11038	RC-03K393JT
R38	YZEP11015	RC-03K153JT
R39	YZEP11035	RC-03K203JT
R40	YZEP11034	RC-03K183JT
R41	YZEP11015	RC-03K153JT
R42	YZEP11050	RC-03K561JT
R43	YZEP11207	RC-05K0R5FT
R44	YZEP11013	RC-03K103JT
R45	YZEP11013	RC-03K103JT
R46	YZEP11000	RC-03K000JT
R47	YZEP11035	RC-03K203JT
R48	YZEP11035	RC-03K203JT
R49	YZEP11013	RC-03K103JT
R50	YZEP11207	RC-05K0R5FT
R51	YZEP11000	RC-03K000JT
R52	YZEP11000	RC-03K000JT
R53	YZEP11000	RC-03K000JT
R54	YZEP11140	RC-03K220JT
R55	YZEP11012	RC-03K472JT
R56	YZEP11012	RC-03K472JT
R57	YZEP11023	RC-03K105JT
R58	YZEP11003	RC-03K100JT
R59	YZEP11013	RC-03K103JT
R60	YZEP11012	RC-03K472JT
R61	YZEP11012	RC-03K472JT
R62	YZEP11004	RC-03K330JT
R63	YZEP11004	RC-03K330JT
R64	YZEP11013	RC-03K103JT
R65	YZEP11013	RC-03K103JT
R66	YZEP11013	RC-03K103JT
R67	YZEP11013	RC-03K103JT
R69	YZEP11013	RC-03K103JT
R70	YZEP11054	RC-03K752JT
R71	YZEP11012	RC-03K472JT
R72	YZEP11004	RC-03K330JT
R73	YZEP11004	RC-03K330JT
R74	YZEP11116	RC-03K470JT
R75	YZEP11006	RC-03K101JT
R76	YZEP11024	RC-03K331JT

The components shown in the remaining pages served as a reference only. It is not meant for ordering of components for servicing purposes. Do not quote any components from these lists.

REF No.	PART No.	PART NAME
R78	YZEP11024	RC-03K331JT
R79	YZEP11013	RC-03K103JT
R80	YZEP11004	RC-03K330JT
R81	YZEP11004	RC-03K330JT
R83	YZEP11013	RC-03K103JT
R85	YZEP11209	RC-03K433JT
R86	YZEP11004	RC-03K330JT
R88	YZEP11024	RC-03K331JT
R89	YZEP11140	RC-03K220JT
R90	YZEP11013	RC-03K103JT
R92	YZEP11140	RC-03K220JT
R93	YZEP11000	RC-03K000JT
R94	YZEP20015	GRM39F104Z25PT
R95	YZEP11009	RC-03K102JT
R96	YZEP11254A	SL1TTER100F
R97	YZEP11054	RC-03K752JT
R98	YZEP11002	RC-03K4R7JT
R99	YZEP11002	RC-03K4R7JT
R002	YZEP11009	RC-03K102JT
R004	YZEP20015	GRM39F104Z25PT
R100	YZEP11054	RC-03K752JT
R101	YZEP11004	RC-03K330JT
R102	YZEP11209	RC-03K433JT
R103	YZEP11017	RC-03K333JT
R104	YZEP11010	RC-03K202JT
R105	YZEP11000	RC-03K000JT
R106	YZEP11207	RC-05K0R5FT
R107	YZEP11009	RC-03K102JT
R108	YZEP11142	RC-03K622JT
R109	YZEP11209	RC-03K433JT
R110	YZEP11013	RC-03K103JT
R111	YZEP11009	RC-03K102JT
R112	YZEP11013	RC-03K103JT
R113	YZEP11009	RC-03K102JT
R114	YZEP11013	RC-03K103JT
R115	YZEP11009	RC-03K102JT
R116	YZEP11013	RC-03K103JT
R117	YZEP11003	RC-03K100JT
R118	YZEP11015	RC-03K153JT
R119	YZEP11004	RC-03K330JT

REF No.	PART No.	PART NAME
R120	YZEP11013	RC-03K103JT
R121	YZEP11018	RC-03K473JT
R122	YZEP11209	RC-03K433JT
R123	YZEP11004	RC-03K330JT
R124	YZEP11019	RC-03K104JT
R125	YZEP11004	RC-03K330JT
R126	YZEP11209	RC-03K433JT
R127	YZEP11004	RC-03K330JT
R128	YZEP11209	RC-03K433JT
R129	YZEP11004	RC-03K330JT
R130	YZEP11004	RC-03K330JT
R131	YZEP11004	RC-03K330JT
R132	YZEP11397	RC-03K241FT
R136	YZEP11209	RC-03K433JT
R138	YZEP11003	RC-03K100JT
R141	YZEP11209	RC-03K433JT
R142	YZEP11004	RC-03K330JT
R143	YZEP11004	RC-03K330JT
R144	YZEP11209	RC-03K433JT
R146	YZEP11209	RC-03K433JT
R149	YZEP11012	RC-03K472JT
R151	YZEP11012	RC-03K472JT
R152	YZEP11004	RC-03K330JT
R158	YZEP11003	RC-03K100JT
R162	YZEP11063	RC-06K1R0JT
R163	YZEP11020	RC-03K154JT
R164	YZEP11061	RC-03K684JT
R165	YZEP11061	RC-03K684JT
R166	YZEP11013	RC-03K103JT
R167	YZEP11020	RC-03K154JT
R168	YZEP11000	RC-03K000JT
R169	YZEP11035	RC-03K203JT
R172	YZEP11018	RC-03K473JT
R173	YZEP11057	RC-03K513JT
R175	YZEP11034	RC-03K183JT
R176	YZEP11040	RC-03K683JT
R177	YZEP11035	RC-03K203JT
R179	YZEP11037	RC-03K273JT
R180	YZEP11035	RC-03K203JT
R182	YZEP11039	RC-03K563JT

The components shown in the remaining pages served as a reference only. It is not meant for ordering of components for servicing purposes. Do not quote any components from these lists.

REF No.	PART No.	PART NAME
R206	YZEP11013	RC-03K103JT
R207	YZEP11019	RC-03K104JT
R208	YZEP11019	RC-03K104JT
R209	YZEP11019	RC-03K104JT
R210	YZEP11013	RC-03K103JT
R211	YZEP11009	RC-03K102JT
R212	YZEP11013	RC-03K103JT
R213	YZEP11009	RC-03K102JT
R214	YZEP11056	RC-03K303JT
R215	YZEP11056	RC-03K303JT
R216	YZEP11003	RC-03K100JT
R217	YZEP11003	RC-03K100JT
R218	YZEP11000	RC-03K000JT
R219	YZEP11018	RC-03K473JT
R220	YZEP11057	RC-03K513JT
R221	YZEP11009	RC-03K102JT
R222	YZEP11009	RC-03K102JT
R223	YZEP11051	RC-03K152JT
R225	YZEP11009	RC-03K102JT
R226	YZEP11013	RC-03K103JT
R227	YZEP11000	RC-03K000JT
R228	YZEP11013	RC-03K103JT
R230	YZEP11013	RC-03K103JT
R231	YZEP11013	RC-03K103JT
R232	YZEP11003	RC-03K100JT
R233	YZEP11003	RC-03K100JT
R241	YZEP11005	RC-03K750JT
R251	YZEP11140	RC-03K220JT
R252	YZEP11140	RC-03K220JT
R255	YZEP11011	RC-03K332JT
R256	YZEP11036	RC-03K223JT
R257	YZEP11036	RC-03K223JT
R258	YZEP11036	RC-03K223JT
R259	YZEP11155	RC-03K274JT
R280	YZEP11130	RC-03K391JT
R281	YZEP11012	RC-03K472JT
R305	YZEP11005	RC-03K750JT
R312	YZEP11004	RC-03K330JT
R319	YZEP11000	RC-03K000JT
R407	YZEP11013	RC-03K103JT

REF No.	PART No.	PART NAME
R444	YZEP11013	RC-03K103JT
R454	YZEP11013	RC-03K103JT
R501	YZEP11018	RC-03K473JT
R502	YZEP11018	RC-03K473JT
R513	YZEP11032	RC-03K512JT
R514	YZEP11031	RC-03K392JT
R515	YZEP11013	RC-03K103JT
R516	YZEP11019	RC-03K104JT
R517	YZEP11013	RC-03K103JT
R518	YZEP11003	RC-03K100JT
R519	YZEP11032	RC-03K512JT
R520	YZEP11013	RC-03K103JT
R521	YZEP11031	RC-03K392JT
R522	YZEP11019	RC-03K104JT
R523	YZEP11013	RC-03K103JT
R526	YZEP11009	RC-03K102JT
R527	YZEP11009	RC-03K102JT
R529	YZEP11006	RC-03K101JT
R530	YZEP11006	RC-03K101JT
R556	YZEP11009	RC-03K102JT
R557	YZEP11012	RC-03K472JT
R558	YZEP11018	RC-03K473JT
R559	YZEP11008	RC-03K471JT
R560	YZEP11008	RC-03K471JT
R567	YZEP11000	RC-03K000JT
R568	YZEP11019	RC-03K104JT
R593	YZEP11003	RC-03K100JT
RN4	YZEP11206	RCML08W220JT
CAPACITOR		
⚠ C1	YZEP20101	ECJ2FF1C106Z
C2	YZEP31100B	ECJMFF1C106Z
C3	YZEP31100B	ECJMFF1C106Z
C4	YZEP31100B	ECJMFF1C106Z
C5	YZEP30003E	UWX0J101MCL1GB
C6	YZEP20018	GRM39CH100J50PT
C7	YZEP20028	GRM39CH221J50PT
C8	YZEP20015	GRM39F104Z25PT
C9	YZEP20028	GRM39CH221J50PT
C01	YZEP20101	ECJ2FF1C106Z
C02	YZEP20014	GRM39B473K16PT

The components shown in the remaining pages served as a reference only. It is not meant for ordering of components for servicing purposes. Do not quote any components from these lists.

REF No.	PART No.	PART NAME
C03	YZEP30006C	UWX0G470MCL1GB
C04	YZEP20014	GRM39B473K16PT
C06	YZEP20015	GRM39F104Z25PT
C07	YZEP20101	ECJ2FF1C106Z
C08	YZEP20101	ECJ2FF1C106Z
C09	YZEP20035	GRM39F105Z10PT
C10	YZEP20015	GRM39F104Z25PT
C11	YZEP31100B	ECJMFF1C106Z
C12	YZEP31088A	6.3V/220UF
C13	YZEP20035	GRM39F105Z10PT
C14	YZEP20015	GRM39F104Z25PT
C15	YZEP20015	GRM39F104Z25PT
C16	YZEP20101	ECJ2FF1C106Z
C17	YZEP20022B	ECJMFF1A226Z
C18	YZEP20035	GRM39F105Z10PT
C19	YZEP20015	GRM39F104Z25PT
C20	YZEP20101	ECJ2FF1C106Z
C21	YZEP20009	GRM39B102K50PT
C22	YZEP20015	GRM39F104Z25PT
C23	YZEP20020	GRM39CH121J50PT
C24	YZEP20020	GRM39CH121J50PT
C25	YZEP20015	GRM39F104Z25PT
C26	YZEP30014D	UWX1C101MCL1GB
C27	YZEP20018	GRM39CH100J50PT
C28	YZEP20015	GRM39F104Z25PT
C29	YZEP20101	ECJ2FF1C106Z
C30	YZEP20101	ECJ2FF1C106Z
C32	YZEP31100B	ECJMFF1C106Z
C33	YZEP30014D	UWX1C101MCL1GB
C34	YZEP20101	ECJ2FF1C106Z
C35	YZEP20002	GRM39CH220J50PT
C37	YZEP31100B	ECJMFF1C106Z
C38	YZEP31100B	ECJMFF1C106Z
C39	YZEP20020	GRM39CH121J50PT
C40	YZEP31100B	ECJMFF1C106Z
C41	YZEP20101	ECJ2FF1C106Z
C42	YZEP20015	GRM39F104Z25PT
C43	YZEP20002	GRM39CH220J50PT
C44	YZEP20101	ECJ2FF1C106Z
C45	YZEP20018	GRM39CH100J50PT

REF No.	PART No.	PART NAME
C46	YZEP20015	GRM39F104Z25PT
C47	YZEP20015	GRM39F104Z25PT
C48	YZEP20006	GRM39CH101J50PT
C49	YZEP20029	GRM39CH331J50PT
C50	YZEP20015	GRM39F104Z25PT
C51	YZEP20029	GRM39CH331J50PT
C52	YZEP20015	GRM39F104Z25PT
C53	YZEP20027	GRM39CH151J50PT
C54	YZEP20027	GRM39CH151J50PT
C55	YZEP30014D	UWX1C101MCL1GB
C56	YZEP20009	GRM39B102K50PT
C57	YZEP20015	GRM39F104Z25PT
C58	YZEP20015	GRM39F104Z25PT
C59	YZEP20101	ECJ2FF1C106Z
C60	YZEP20022B	ECJMFF1A226Z
C61	YZEP20051	GRM39CH5R1D50PT
C62	YZEP20002	GRM39CH220J50PT
C63	YZEP20009	GRM39B102K50PT
C64	YZEP31100B	ECJMFF1C106Z
C65	YZEP31100B	ECJMFF1C106Z
C66	YZEP31100B	ECJMFF1C106Z
C67	YZEP31100B	ECJMFF1C106Z
C68	YZEP31100B	ECJMFF1C106Z
C69	YZEP31100B	ECJMFF1C106Z
C70	YZEP20015	GRM39F104Z25PT
C71	YZEP31100B	ECJMFF1C106Z
C72	YZEP31100B	ECJMFF1C106Z
C73	YZEP20035	GRM39F105Z10PT
C73A1	YZEP20057C	TZC03P300A110T00
C74	YZEP20101	ECJ2FF1C106Z
C75	YZEP20051	GRM39CH5R1D50PT
C76	YZEP20101	ECJ2FF1C106Z
C77	YZEP20035	GRM39F105Z10PT
C79	YZEP20059	GRM39B472K50PT
C81	YZEP20052	GRM39CH200J50PT
C82	YZEP20101	ECJ2FF1C106Z
C83	YZEP20101	ECJ2FF1C106Z
C84	YZEP20101	ECJ2FF1C106Z
C85	YZEP20015	GRM39F104Z25PT
C86	YZEP20015	GRM39F104Z25PT

The components shown in the remaining pages served as a reference only. It is not meant for ordering of components for servicing purposes. Do not quote any components from these lists.

REF No.	PART No.	PART NAME
C87	YZEP20101	ECJ2FF1C106Z
C88	YZEP20017	GRM39F474Z10PT
C89	YZEP20015	GRM39F104Z25PT
C90	YZEP20101	ECJ2FF1C106Z
C91	YZEP20101	ECJ2FF1C106Z
C92	YZEP20101	ECJ2FF1C106Z
C93	YZEP31100B	ECJMFF1C106Z
C95	YZEP20101	ECJ2FF1C106Z
C96	YZEP20101	ECJ2FF1C106Z
C97	YZEP20015	GRM39F104Z25PT
C98	YZEP20015	GRM39F104Z25PT
C99	YZEP20015	GRM39F104Z25PT
C001	YZEP20006	GRM39CH101J50PT
C002	YZEP20009	GRM39B102K50PT
C003	YZEP30014D	UWX1C101MCL1GB
C004	YZEP20006	GRM39CH101J50PT
C005	YZEP20015	GRM39F104Z25PT
C007	YZEP20015	GRM39F104Z25PT
C008	YZEP20015	GRM39F104Z25PT
C009	YZEP20015	GRM39F104Z25PT
C010	YZEP20015	GRM39F104Z25PT
C011	YZEP30014D	UWX1C101MCL1GB
C013	YZEP20015	GRM39F104Z25PT
C016	YZEP20015	GRM39F104Z25PT
C020	YZEP30014D	UWX1C101MCL1GB
C024	YZEP20015	GRM39F104Z25PT
C049	YZEP30014D	UWX1C101MCL1GB
C077	YZEP30014D	UWX1C101MCL1GB
C085	YZEP30014D	UWX1C101MCL1GB
C088	YZEP20015	GRM39F104Z25PT
C091	YZEP31100B	ECJMFF1C106Z
C100	YZEP20015	GRM39F104Z25PT
C101	YZEP20015	GRM39F104Z25PT
C102	YZEP31100B	ECJMFF1C106Z
C103	YZEP20035	GRM39F105Z10PT
C104	YZEP20044	GRM39F224Z16PT
C105	YZEP20015	GRM39F104Z25PT
C106	YZEP31100B	ECJMFF1C106Z
C107	YZEP31100B	ECJMFF1C106Z
C108	YZEP31100B	ECJMFF1C106Z

REF No.	PART No.	PART NAME
C109	YZEP31100B	ECJMFF1C106Z
C110	YZEP31100B	ECJMFF1C106Z
C111	YZEP20015	GRM39F104Z25PT
C112	YZEP20101	ECJ2FF1C106Z
C113	YZEP20101	ECJ2FF1C106Z
C114	YZEP31100B	ECJMFF1C106Z
C115	YZEP20015	GRM39F104Z25PT
C116	YZEP31100B	ECJMFF1C106Z
C117	YZEP20101	ECJ2FF1C106Z
C118	YZEP31100B	ECJMFF1C106Z
C119	YZEP31100B	ECJMFF1C106Z
C120	YZEP20015	GRM39F104Z25PT
C121	YZEP20015	GRM39F104Z25PT
C122	YZEP20015	GRM39F104Z25PT
C123	YZEP31100B	ECJMFF1C106Z
C124	YZEP31100B	ECJMFF1C106Z
C125	YZEP20101	ECJ2FF1C106Z
C126	YZEP20101	ECJ2FF1C106Z
C127	YZEP20015	GRM39F104Z25PT
C128	YZEP20015	GRM39F104Z25PT
C129	YZEP20015	GRM39F104Z25PT
C130	YZEP20085	GRM40Y5V225Z16
C131	YZEP20085	GRM40Y5V225Z16
C132	YZEP20015	GRM39F104Z25PT
C133	YZEP20035	GRM39F105Z10PT
C134	YZEP20022B	ECJMFF1A226Z
C135	YZEP31100B	ECJMFF1C106Z
C136	YZEP20101	ECJ2FF1C106Z
C137	YZEP20015	GRM39F104Z25PT
C138	YZEP31100B	ECJMFF1C106Z
C139	YZEP20015	GRM39F104Z25PT
C140	YZEP30006C	UWX0G470MCL1GB
C141	YZEP30006C	UWX0G470MCL1GB
C142	YZEP20015	GRM39F104Z25PT
C143	YZEP20009	GRM39B102K50PT
C144	YZEP20004	GRM39CH300J50PT
C145	YZEP31100B	ECJMFF1C106Z
C147	YZEP20015	GRM39F104Z25PT
C148	YZEP30002D	UWX0J470MCL1GB
C149	YZEP20035	GRM39F105Z10PT

The components shown in the remaining pages served as a reference only. It is not meant for ordering of components for servicing purposes. Do not quote any components from these lists.

REF No.	PART No.	PART NAME
C150	YZEP20004	GRM39CH300J50PT
C151	YZEP20009	GRM39B102K50PT
C152	YZEP20015	GRM39F104Z25PT
C153	YZEP20009	GRM39B102K50PT
C154	YZEP20035	GRM39F105Z10PT
C155	YZEP20014	GRM39B473K16PT
C168	YZEP20015	GRM39F104Z25PT
C177	YZEP20042	GRM39B222K50PT
C178	YZEP20042	GRM39B222K50PT
C179	YZEP20015	GRM39F104Z25PT
C190	YZEP31088A	6.3V/220UF
C191	YZEP31088A	6.3V/220UF
C192	YZEP31100B	ECJMFF1C106Z
C194	YZEP20085	GRM40Y5V225Z16
C195	YZEP20044	GRM39F224Z16PT
C196	YZEP20015	GRM39F104Z25PT
C207	YZEP20029	GRM39CH331J50PT
C220	YZEP20015	GRM39F104Z25PT
C221	YZEP31100B	ECJMFF1C106Z
C225	YZEP31100B	ECJMFF1C106Z
C226	YZEP20017	GRM39F474Z10PT
C227	YZEP20038	GRM39CH471J50PT
C228	YZEP20009	GRM39B102K50PT
C229	YZEP20038	GRM39CH471J50PT
C231	YZEP30014D	UWX1C101MCL1GB
C232	YZEP20015	GRM39F104Z25PT
C235	YZEP20015	GRM39F104Z25PT
C241	YZEP31100B	ECJMFF1C106Z
C252	YZEP31100B	ECJMFF1C106Z
C276	YZEP20015	GRM39F104Z25PT
C278	YZEP31100B	ECJMFF1C106Z
C279	YZEP30014D	UWX1C101MCL1GB
C284	YZEP20015	GRM39F104Z25PT
C285	YZEP31100B	ECJMFF1C106Z
C286	YZEP20035	GRM39F105Z10PT
C311	YZEP20002	GRM39CH220J50PT
C416	YZEP31100B	ECJMFF1C106Z
C457	YZEP20061	GRM39B153K25PT
C504	YZEP31100B	ECJMFF1C106Z
C508	YZEP30006C	UWX0G470MCL1GB

REF No.	PART No.	PART NAME
C509	YZEP30006C	UWX0G470MCL1GB
C510	YZEP30002D	UWX0J470MCL1GB
C516	YZEP20076	1800P
C517	YZEP20076	1800P
C518	YZEP20048	GRM39CH301J50PT
C519	YZEP20048	GRM39CH301J50PT
C523	YZEP20015	GRM39F104Z25PT
C554	YZEP30006C	UWX0G470MCL1GB
C555	YZEP30006C	UWX0G470MCL1GB
C574	YZEP20015	GRM39F104Z25PT
C0010	YZEP20049	GRM39B333K25PT
C0011	YZEP20015	GRM39F104Z25PT
CB1	YZEP20015	GRM39F104Z25PT
CB3	YZEP20015	GRM39F104Z25PT
CB4	YZEP20015	GRM39F104Z25PT
CB5	YZEP20015	GRM39F104Z25PT
CB6	YZEP20015	GRM39F104Z25PT
CB7	YZEP20015	GRM39F104Z25PT
CB8	YZEP20015	GRM39F104Z25PT
CB9	YZEP20015	GRM39F104Z25PT
CB11	YZEP20015	GRM39F104Z25PT
CB12	YZEP20015	GRM39F104Z25PT
CB13	YZEP20015	GRM39F104Z25PT
CB14	YZEP20015	GRM39F104Z25PT
CB15	YZEP20015	GRM39F104Z25PT
CB16	YZEP20017	GRM39F474Z10PT
CB17	YZEP20015	GRM39F104Z25PT
CB18	YZEP20015	GRM39F104Z25PT
CB19	YZEP20015	GRM39F104Z25PT
CB20	YZEP20006	GRM39CH101J50PT
CB22	YZEP20015	GRM39F104Z25PT
CB23	YZEP20015	GRM39F104Z25PT
CB24	YZEP20015	GRM39F104Z25PT
CB25	YZEP20015	GRM39F104Z25PT
CB26	YZEP20015	GRM39F104Z25PT
CB27	YZEP20015	GRM39F104Z25PT
CB30	YZEP20009	GRM39B102K50PT
CB40	YZEP20015	GRM39F104Z25PT
CB47	YZEP20015	GRM39F104Z25PT
CB48	YZEP20015	GRM39F104Z25PT

The components shown in the remaining pages served as a reference only. It is not meant for ordering of components for servicing purposes. Do not quote any components from these lists.

REF No.	PART No.	PART NAME
CB57	YZEP20015	GRM39F104Z25PT
CB65	YZEP20015	GRM39F104Z25PT
CB66	YZEP20015	GRM39F104Z25PT
CB68	YZEP20015	GRM39F104Z25PT
CB69	YZEP20015	GRM39F104Z25PT
CB72	YZEP20015	GRM39F104Z25PT
CB74	YZEP20015	GRM39F104Z25PT
CB75	YZEP20015	GRM39F104Z25PT
CB76	YZEP20015	GRM39F104Z25PT
CB77	YZEP20015	GRM39F104Z25PT
CB78	YZEP20015	GRM39F104Z25PT
CB79	YZEP20015	GRM39F104Z25PT
CB85	YZEP20015	GRM39F104Z25PT
CB88	YZEP20015	GRM39F104Z25PT
CB89	YZEP20015	GRM39F104Z25PT
CB90	YZEP20015	GRM39F104Z25PT
CB94	YZEP20015	GRM39F104Z25PT
CB95	YZEP20015	GRM39F104Z25PT
CB96	YZEP20015	GRM39F104Z25PT
CB97	YZEP20015	GRM39F104Z25PT
CB99	YZEP20015	GRM39F104Z25PT
CB103	YZEP20015	GRM39F104Z25PT
CB108	YZEP20015	GRM39F104Z25PT
CB109	YZEP20015	GRM39F104Z25PT
CB110	YZEP20015	GRM39F104Z25PT
CB111	YZEP20015	GRM39F104Z25PT
CB112	YZEP20015	GRM39F104Z25PT
CB113	YZEP20015	GRM39F104Z25PT
CB114	YZEP20015	GRM39F104Z25PT
CB115	YZEP20015	GRM39F104Z25PT
CB116	YZEP20015	GRM39F104Z25PT
CB119	YZEP20015	GRM39F104Z25PT
CB120	YZEP20015	GRM39F104Z25PT
CB121	YZEP20015	GRM39F104Z25PT
CB122	YZEP20015	GRM39F104Z25PT
CB127	YZEP20015	GRM39F104Z25PT
CB128	YZEP20015	GRM39F104Z25PT
CB129	YZEP20015	GRM39F104Z25PT
CB131	YZEP20009	GRM39B102K50PT
CB132	YZEP20015	GRM39F104Z25PT

REF No.	PART No.	PART NAME
CB133	YZEP20015	GRM39F104Z25PT
CB134	YZEP20015	GRM39F104Z25PT
CB135	YZEP20015	GRM39F104Z25PT
CB138	YZEP20015	GRM39F104Z25PT
CB139	YZEP20015	GRM39F104Z25PT
CB141	YZEP20015	GRM39F104Z25PT
CB143	YZEP20015	GRM39F104Z25PT
CB145	YZEP20015	GRM39F104Z25PT
CB146	YZEP20015	GRM39F104Z25PT
CB147	YZEP20015	GRM39F104Z25PT
INDUCTOR		
L1	YZEP6721	SGM12012M3R3KT
L2	YZEP6659	BGH2012B601LT
L3	YZEP6659	BGH2012B601LT
L4	YZEP6659	BGH2012B601LT
L5	YZEP6659	BGH2012B601LT
L6	YZEP6659	BGH2012B601LT
L7	YZEP6681	LQH4N101K04
L8	YZEP6659	BGH2012B601LT
L9	YZEP6659	BGH2012B601LT
L01	YZEP6659	BGH2012B601LT
L02	YZEP6659	BGH2012B601LT
L10	YZEP6659	BGH2012B601LT
L11	YZEP6659	BGH2012B601LT
L12	YZEP6659	BGH2012B601LT
L13	YZEP6659	BGH2012B601LT
L14	YZEP6659	BGH2012B601LT
L15	YZEP6659	BGH2012B601LT
L16	YZEP6659	BGH2012B601LT
L17	YZEP6659	BGH2012B601LT
L18	YZEP6659	BGH2012B601LT
L19	YZEP6659	BGH2012B601LT
L20	YZEP6659	BGH2012B601LT
L21	YZEP6659	BGH2012B601LT
L22	YZEP6659	BGH2012B601LT
L23	YZEP6659	BGH2012B601LT
L24	YZEP6659	BGH2012B601LT
L25	YZEP6659	BGH2012B601LT
L26	YZEP11002	RC-03K4R7JT
L27	YZEP6659	BGH2012B601LT

The components shown in the remaining pages served as a reference only. It is not meant for ordering of components for servicing purposes. Do not quote any components from these lists.

REF No.	PART No.	PART NAME
L28	YZEP7129	SMTDRRI6D38-100N-SN
L29	YZEP6659	BGH2012B601LT
L30	YZEP6659	BGH2012B601LT
L31	YZEP6659	BGH2012B601LT
L32	YZEP6659	BGH2012B601LT
L33	YZEP6670	LQH4N221K04
L34	YZEP6659	BGH2012B601LT
L35	YZEP6659	BGH2012B601LT
L36	YZEP6681	LQH4N101K04
L37	YZEP60003	CDRH6D38-330NC
L38	YZEP6659	BGH2012B601LT
L39	YZEP60003	CDRH6D38-330NC
L40	YZEP6681	LQH4N101K04
L41	YZEP6659	BGH2012B601LT
L42	YZEP6659	BGH2012B601LT
L47	YZEP6659	BGH2012B601LT
L005	YZEP60003	CDRH6D38-330NC
L015	YZEP6659	BGH2012B601LT
L303	YZEP6808	FCI2012-IROKT
TRANSISTOR		
VD1	YZEP5722	RB060L-40
VD2	YZEP5722	RB060L-40
VD3	YZEP5067	KTA1298
VD4	YZEP1200	1SS355TE17
VD5	YZEP5709A	DDTC124EUA-7-F
VD6	YZEP1219	1N5402TG
VD7	YZEP5766D	STZ6.2N
VD8	YZEP5817	A03401L
VD9	YZEP5073D	2SD601A-R
VD01	YZEA1610	F2X4 LED
VD10	YZEP5067	KTA1298
VD11	YZEP5067	KTA1298
VD12	YZEP1200	1SS355TE17
VD13	YZEP1200	1SS355TE17
VD14	YZEP1200	1SS355TE17
VD15	YZEP5706A	DDTC144EUA-7-F
VD16	YZEP5706A	DDTC144EUA-7-F
VD17	YZEP5766D	STZ6.2N
VD18	YZEP5766D	STZ6.2N
VD19	YZEP5766D	STZ6.2N

REF No.	PART No.	PART NAME
VD20	YZEP5708	DTA124EUAT106
VD22	YZEP5812	ESDA5V3SC6
VD23	YZEP5812	ESDA5V3SC6
VD24	YZEP5706A	DDTC144EUA-7-F
VD25	YZEP1078	RCML08W103JT
VD28	YZEP1566A	CRG03
VD29	YZEP1200	1SS355TE17
VD30	YZEP5067	KTA1298
VD33	YZEP5722	RB060L-40
VD34	YZEP5706A	DDTC144EUA-7-F
VD35	YZEP1200	1SS355TE17
VD37	YZEP5818	AO3402L
VD38	YZEP1200	1SS355TE17
VD39	YZEP1592	BAV99-7-F
VD50	YZEP11206	RCML08W220JT
VD51	YZEP11206	RCML08W220JT
VD003	YZEP5722	RB060L-40
VD004	YZEP5722	RB060L-40
VD407	YZEP5067	KTA1298
VD501	YZEP5766D	STZ6.2N
VD502	YZEP5766D	STZ6.2N
VD509	YZEP5073D	2SD601A-R
VD510	YZEP5073D	2SD601A-R
VD520	YZEP5073D	2SD601A-R
VD521	YZEP1200	1SS355TE17
VD522	YZEP1200	1SS355TE17
VD525	YZEP1200	1SS355TE17
VD535	YZEP5766D	STZ6.2N
VD538	YZEP5766D	STZ6.2N
VD539	YZEP5766D	STZ6.2N
FUSE		
F003	YZEP60088A	F1206SB3000V032T
F004	YZEP60089A	F1206FA5000V032T
FILTER		
FM001	YZEA6916	LV-R0489 FILTER
CRYSTAL OSCILLATOR		
G1	YZEA6603A	HC-49/S27.000MHZ-AT
G2	YZEA6603A	HC-49/S27.000MHZ-AT
POTENTIOMETERS		
VR1	YZEP0618A	TMC3K-B10K-TR

The components shown in the remaining pages served as a reference only. It is not meant for ordering of components for servicing purposes. Do not quote any components from these lists.

REF No.	PART No.	PART NAME
VR2	YZEA0654	WH10XB-2-20K
VR3	YZEP0620A	TMC3K-B50K-TR
SWITCH		
SW01	YZEP6983A	SW1AF-360-T10
SW02	YZEP6983A	SW1AF-360-T10
SW001	YZEP60078	SSSS710603
IC		
D1	YZEP4581	TC4W53FUF
D3	YZEP90352	AP1117E18LA
D4	YZEP90566	MT1389DE/H-L
D6	YZEP90495	BQ24103
D7	YZEP90496	BD9303FP
D02	YZEP90129	PCM1742E/2K
D001	YZEP90515	HY57V641620ETP-H
D002	YZEP4516B	74HCU04D.653
D003	YZEP90007D	CMD5954-PF
D004	YZEP90353	MX29LV160ABTC-70
U1	YZEP90630	MX88V462UCG
N1	YZEA6733	HS0038B
N2	YZEP90090A	PQ050DZ01ZPH
N3	YZEP90072F	BA33BC0FP-E2
N4	YZEP90092C	BA50BC0FP-E2
N5	YZEP5759B	AO4801L
N6	YZEP90504	AAT1109-S-T
N8	YZEP90159	24IIC02
N9	YZEP90371	74LV4052PW
N10	YZEP90018B	HWD4863
N11	YZEP4530J	AZ4558BM-E1
N12	YZEP90092C	BA50BC0FP-E2
N13	YZEP4582	NJM3414AM(TE2)
N14	YZEP5714	FMC3AT148
N20	YZEP5714	FMC3AT148
N501	YZEP4530J	AZ4558BM-E1
SOCKET		
JS1	YZEP60083	SM20B-SURS-TF-PF SOCKET
JS2	YZEA7302C	CK35-19 SOCKET
JS3	YZEA7677	DC-5V SOCKET
JS4	YZEP60083	SM20B-SURS-TF-PF SOCKET
JS5	YZEP60041	MOLEX-53261-0390 SOCKET
JS8	YZEA7302C	CK35-19 SOCKET

REF No.	PART No.	PART NAME
JS10	YZEA6905B	CK35-15 SOCKET
JS12	YZEA6704A	CK35-17 SOCKET
JS001	YZEA6663D	DC-10-A POWER SOCKET
XS1	YZEP60081	53261-0890 SOCKET
XS2	YZEP60038	GF055-SS-LSS SOCKET
XS3	YZEP7050A	YSMC002AOW SOCKET
XS001	YZEA7638	DVD1810 SOCKET(MALE)
XS008	YZEP60061	53261-0690 SOCKET
PDV-701SH HV PCB ASS'Y		
RESISTOR		
R4	YZEP11004	RC-03K330JT
R5	YZEP11004	RC-03K330JT
R6	YZEP11159	RC-03K824JT
R8	YZEP11190	RC-03K911JT
R9	YZEP11009	RC-03K102JT
R10	YZEP11019	RC-03K104JT
R11	YZEP11023	RC-03K105JT
R12	YZEP11003	RC-03K100JT
CAPACITOR		
C1	YZEP20044	GRM39F224Z16PT
C2	YZEP20128	GRM39CH361J50PT
C3	YZEP31100B	ECJMFF1C106Z
C4	YZEP20061	GRM39B153K25PT
C6	YZEP20015	GRM39F104Z25PT
C7	YZEP31100B	ECJMFF1C106Z
C8	YZEP20042	GRM39B222K50PT
C9	YZEP20042	GRM39B222K50PT
C10	YZEP20031E	MA1808CG-120J-302ER
C11	YZEP20012	GRM39B103K50PT
C12	YZEP20015	GRM39F104Z25PT
IC		
N1	YZEP90674	OZ9930GN
N2	YZEP90410C	AF9945NSLA
TRANSISTOR		
D1	YZEP1592	BAV99-7-F
D2	YZEP1592	BAV99-7-F
D3	YZEP5749A	2N7002-7-F
VD1	YZEP5706A	DDTC144EUA-7-F
TRANSFORMER		
⚠T1	YZEP7092	UI9.8B TRANSFORMER

The components shown in the remaining pages served as a reference only. It is not meant for ordering of components for servicing purposes. Do not quote any components from these lists.

REF No.	PART No.	PART NAME
FUSE		
F	YZEA7276A	F130
SOCKET		
CN2	YZEP6981	MOLEX-53261-0490 SOCKET
XS2	YZEP7045	BHS-2P-PF SOCKET
PDV-701ST IF PCB ASS'Y		
RESISTOR		
R1	YZEP11052	RC-03K302JT
R2	YZEP11014	RC-03K123JT
R3	YZEP11000	RC-03K000JT
R7	YZEP11000	RC-03K000JT
R8	YZEP11000	RC-03K000JT
CAPACITOR		
C2	YZEP31100B	ECJMFF1C106Z
C3	YZEP31100B	ECJMFF1C106Z
C4	YZEP31100B	ECJMFF1C106Z
C5	YZEP31100B	ECJMFF1C106Z
C6	YZEP31100B	ECJMFF1C106Z
C7	YZEP31100B	ECJMFF1C106Z
C8	YZEP31100B	ECJMFF1C106Z
C9	YZEP31100B	ECJMFF1C106Z
C10	YZEP31100B	ECJMFF1C106Z
C11	YZEP31100B	ECJMFF1C106Z
C12	YZEP31091B	UZS1C470MCL1GB
CB1	YZEP20015	GRM39F104Z25PT
CB2	YZEP20015	GRM39F104Z25PT
CB3	YZEP20015	GRM39F104Z25PT
CB4	YZEP20015	GRM39F104Z25PT
CB5	YZEP11000	RC-03K000JT
SOCKET		
XS1	YZEP6849	MOLEX-52437-3091
XS3	YZEP60083	SM20B-SURS-TF-PF
XS4	YZEP6981	MOLEX-53261-0490
XS6	YZEP60083	SM20B-SURS-TF-PF

HITACHI

Inspire the Next